

TRIMO TRIMOTERM

TRIMO

TRIMO D.O.O.
PRIJATELJEVA CESTA 12
8210 TREBNJE | SLOVENIJA
T: +386 (0)7 34 60 200
F: +386 (0)7 34 60 127
E: TRIMO@TRIMO-GROUP.COM
W: WWW.TRIMO-GROUP.COM

Trimo Group holds full copyrights on the information and details provided on this media, therefore any unauthorized reproduction and distribution is strictly prohibited. Professional care has been taken to ensure that information/details are accurate, correct, complete and not misleading. However, Trimo (including its subsidiaries) does not accept responsibility or liability for errors or information which is found to be misleading. Information/details on this media are for general purposes only. Use of it is on your own initiative and responsibility for compliance with local laws is yours. Any deviations in details and project solutions are user responsibility. In no event, will Trimo be liable for any loss or damage including without limitation, indirect or consequential loss or damage, or any loss or damage whatsoever arising from loss profits arising out of or in connection with, the use of this media. All information issued by Trimo Group is subject to continuous development and information/details contained on this media are current at date of issue. It is user's responsibility to obtain most up-to-date information from Trimo when information/details are used for project.

The last version of the document is available on www.trimo-group.com. Latest version of published document in English language prevails over other translated language documents.

For information about the delivery of panels see Trimo's General conditions. <https://trimo-group.com/en/trimo/general-conditions-of-sales>

ARCHITECTURAL DETAILS PITCHED ROOF SYSTEM TRIMOTERM SNV

PITCHED INSTALLATION



TRIMOTERM SNV

FUNCTION

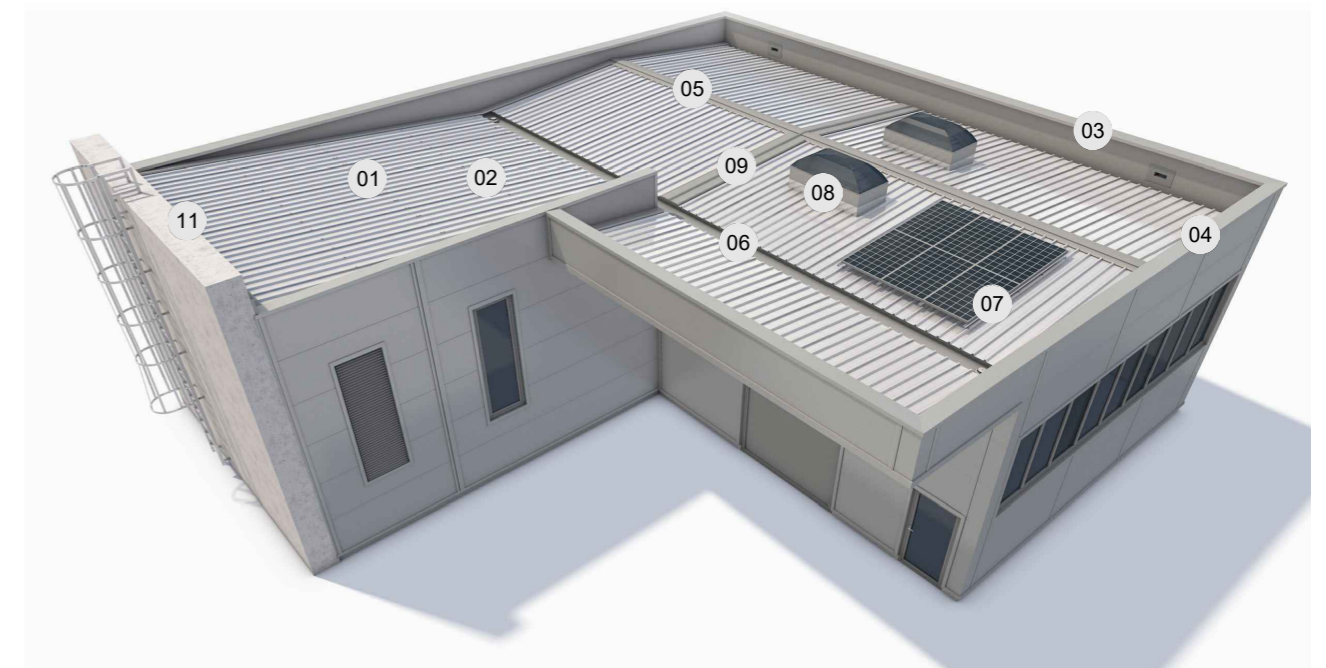
- FIRE - fire-resistant system
- FOOGIENE - food & hygiene system
- BASE - backing-wall system

APPLICATION

- External Facade
- Internal Wall
- Flat Roof
- External Soffit
- Internal Ceiling
- Pitched Roof

-  CAD download centre
-  BIM download centre

- TW-P-01 JOINT
- TW-P-02 FIXING
- TW-P-03 PARAPET
- TW-P-04 GABLE
- TW-P-05 RIDGE
- TW-P-06 VALLEY
- TW-P-07 ADDITION
- TW-P-08 PENETRATION
- TW-P-09 DILATATION
- TW-P-11 OTHER SYSTEM CONNECTION



SCHEME

Trimo Group holds full copyrights on the information and details provided on this media, therefore any unauthorized reproduction and distribution is strictly prohibited.



PITCHED INSTALLATION

TRIMOTERM SNV

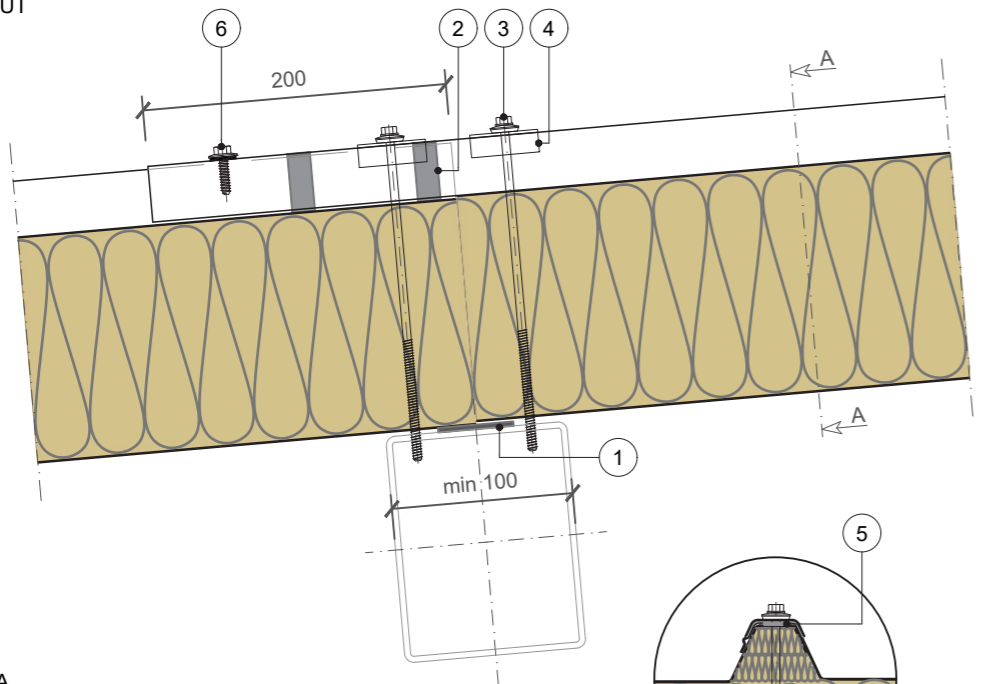
FUNCTION

- FIRE - fire-resistant system
- FOOGIENE - food & hygiene system
- BASE - backing-wall system

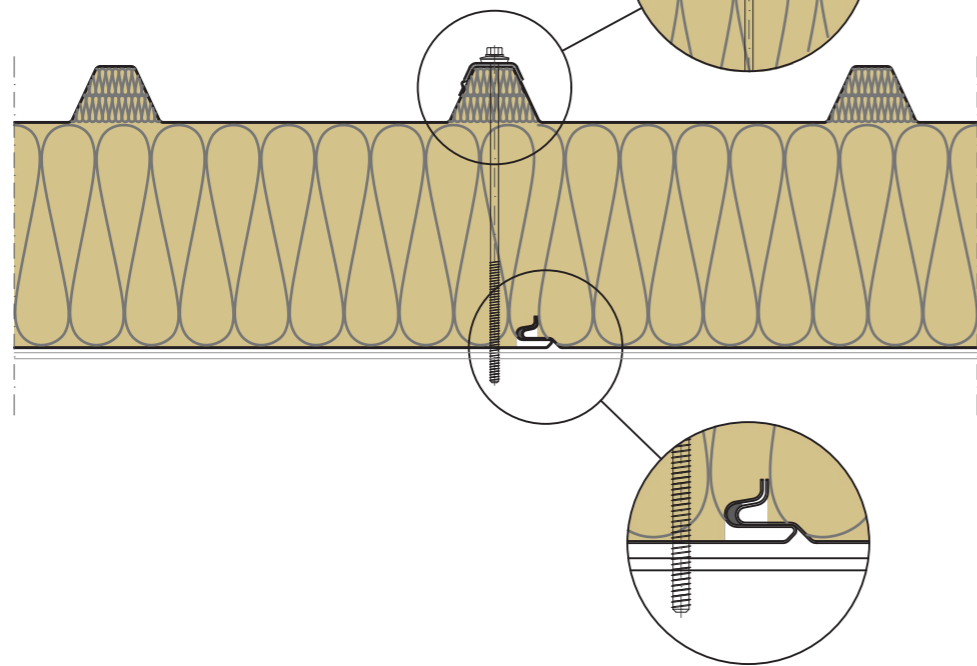
APPLICATION

- External Facade + External Soffit
- Internal Wall + Internal Ceiling
- Flat Roof ● Pitched Roof

VERTICAL CUT



SECTION A-A



POS.	ELEMENTS	SCALE: M 1:5
1	Sealing tape	
2	Sealing tape	
3	Fixing screw	
4	Saddle washer	
5	Sealing tape	
6	Fixing screw	

JOINT

Trimo Group holds full copyrights on the information and details provided on this media, therefore any unauthorized reproduction and distribution is strictly prohibited.



PITCHED INSTALLATION

TRIMOTERM SNV

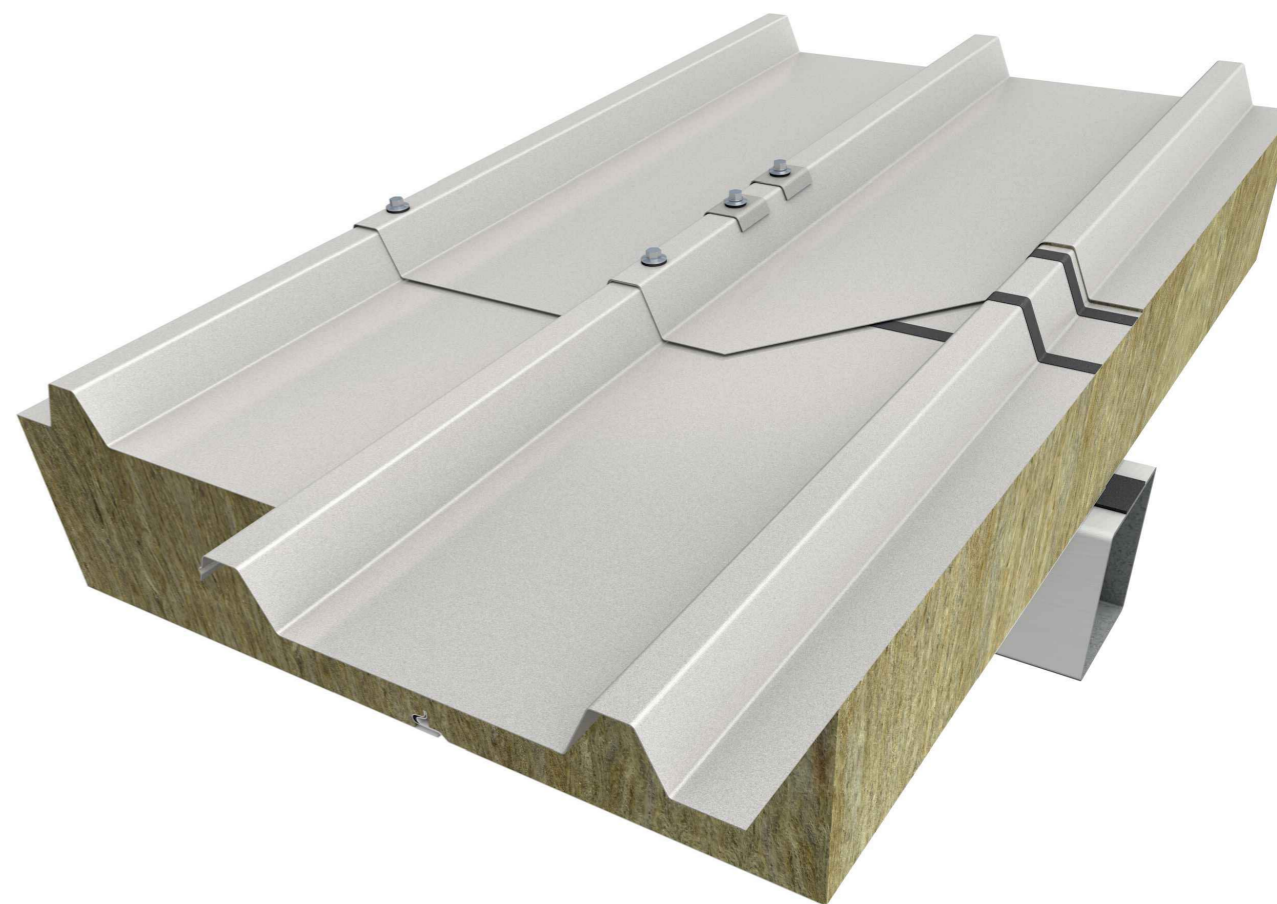
FUNCTION

- FIRE - fire-resistant system
- FOOGIENE - food & hygiene system
- BASE - backing-wall system

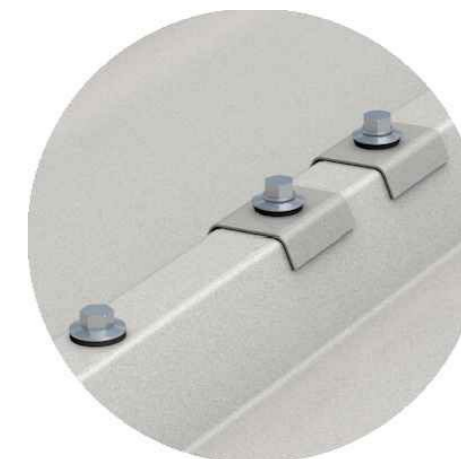
APPLICATION

- External Facade + External Soffit
- Internal Wall + Internal Ceiling
- Flat Roof ● Pitched Roof

DETAIL VIEW



CLOSE VIEW



ADVANTAGES

- Best fit with a roof pitch from 5°
- Fire resistance up to REI180
- U Thermal transmittance as low as 0.16 W/m²K
- Up to 240 mm thick and up to 14 m long in module 1000 mm
- Quick installation and designing with BIM support

JOINT

Trimo Group holds full copyrights on the information and details provided on this media, therefore any unauthorized reproduction and distribution is strictly prohibited.



PITCHED INSTALLATION

TRIMOTERM SNV

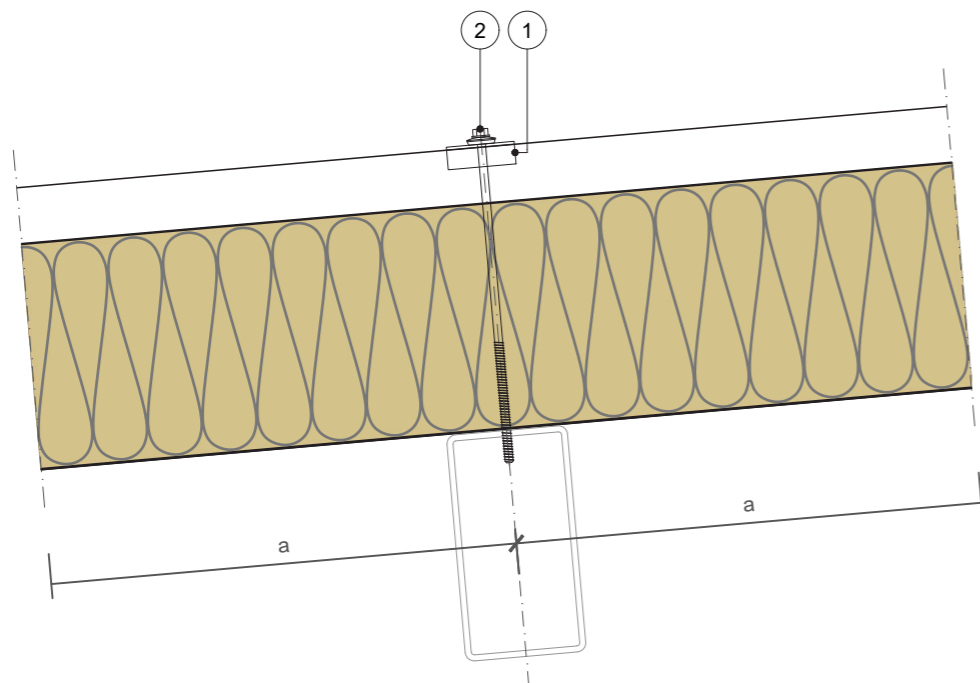
FUNCTION

- FIRE - fire-resistant system
- FOOGIENE - food & hygiene system
- BASE - backing-wall system

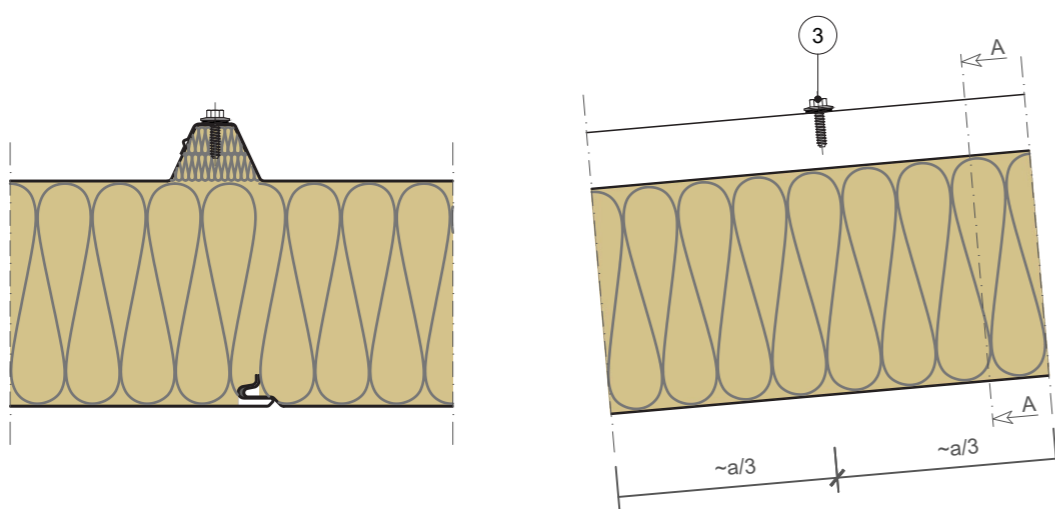
APPLICATION

- External Facade + External Soffit
- Internal Wall + Internal Ceiling
- Flat Roof ● Pitched Roof

VERTICAL CUT



SECTION A-A



POS.	ELEMENTS	SCALE: M 1:5
1	Saddle washer	
2	Fixing screw	
3	Fixing screw short	

FIXING

Trimo Group holds full copyrights on the information and details provided on this media, therefore any unauthorized reproduction and distribution is strictly prohibited.



PITCHED INSTALLATION

TRIMOTERM SNV

FUNCTION

- FIRE - fire-resistant system
- FOOGIENE - food & hygiene system
- BASE - backing-wall system

APPLICATION

- External Facade + External Soffit
- Internal Wall + Internal Ceiling
- Flat Roof ● Pitched Roof

DETAIL VIEW



CLOSE VIEW



ADVANTAGES

- Best fit with a roof pitch from 5°
- Fire resistance up to REI180
- U Thermal transmittance as low as 0.16 W/m²K
- Up to 240 mm thick and up to 14 m long in module 1000 mm
- Quick installation and designing with BIM support

FIXING

Trimo Group holds full copyrights on the information and details provided on this media, therefore any unauthorized reproduction and distribution is strictly prohibited.



PITCHED INSTALLATION

TRIMOTERM SNV

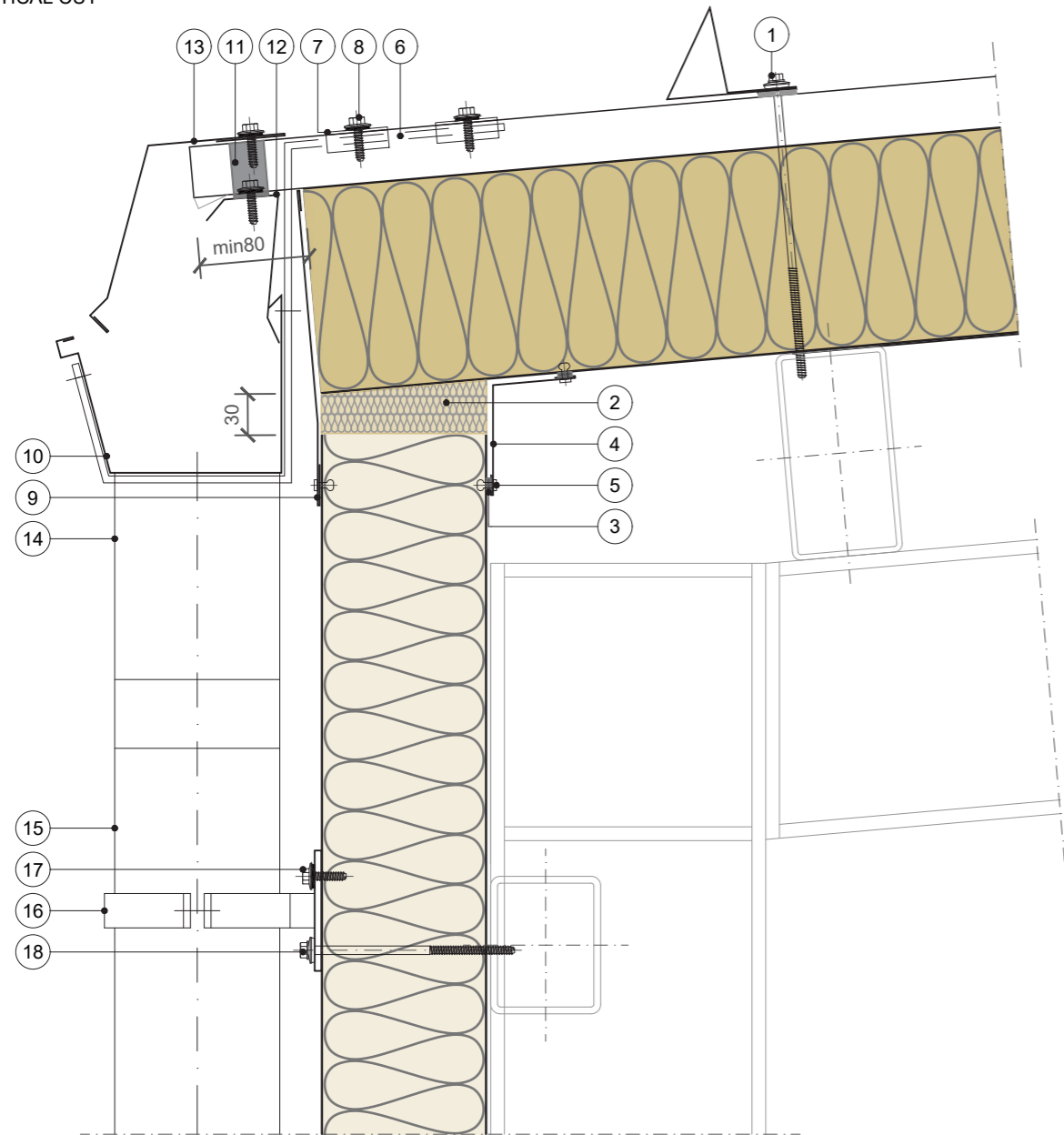
FUNCTION

- FIRE - fire-resistant system
- FOOGIENE - food & hygiene system
- BASE - backing-wall system

APPLICATION

- External Facade + External Soffit
- Internal Wall + Internal Ceiling
- Flat Roof ● Pitched Roof

VERTICAL CUT



POS.	ELEMENTS	POS.	ELEMENTS	SCALE: M 1:5
1	Fixing screw	10	External gutter	
2	Thermal insulation	11	Profile filler SNV - positive	
3	Sealing tape	12	Drip flashing	
4	Flashing	13	External gutter mask	
5	Blind rivet	14	Outlet connection	
6	External gutter hook	15	Down pipe	
7	Saddle washer	16	Down pipe support	
8	Fixing screw short	17	Fixing screw short	
9	External eaves mask	18	Fixing screw	



PITCHED INSTALLATION

TRIMOTERM SNV

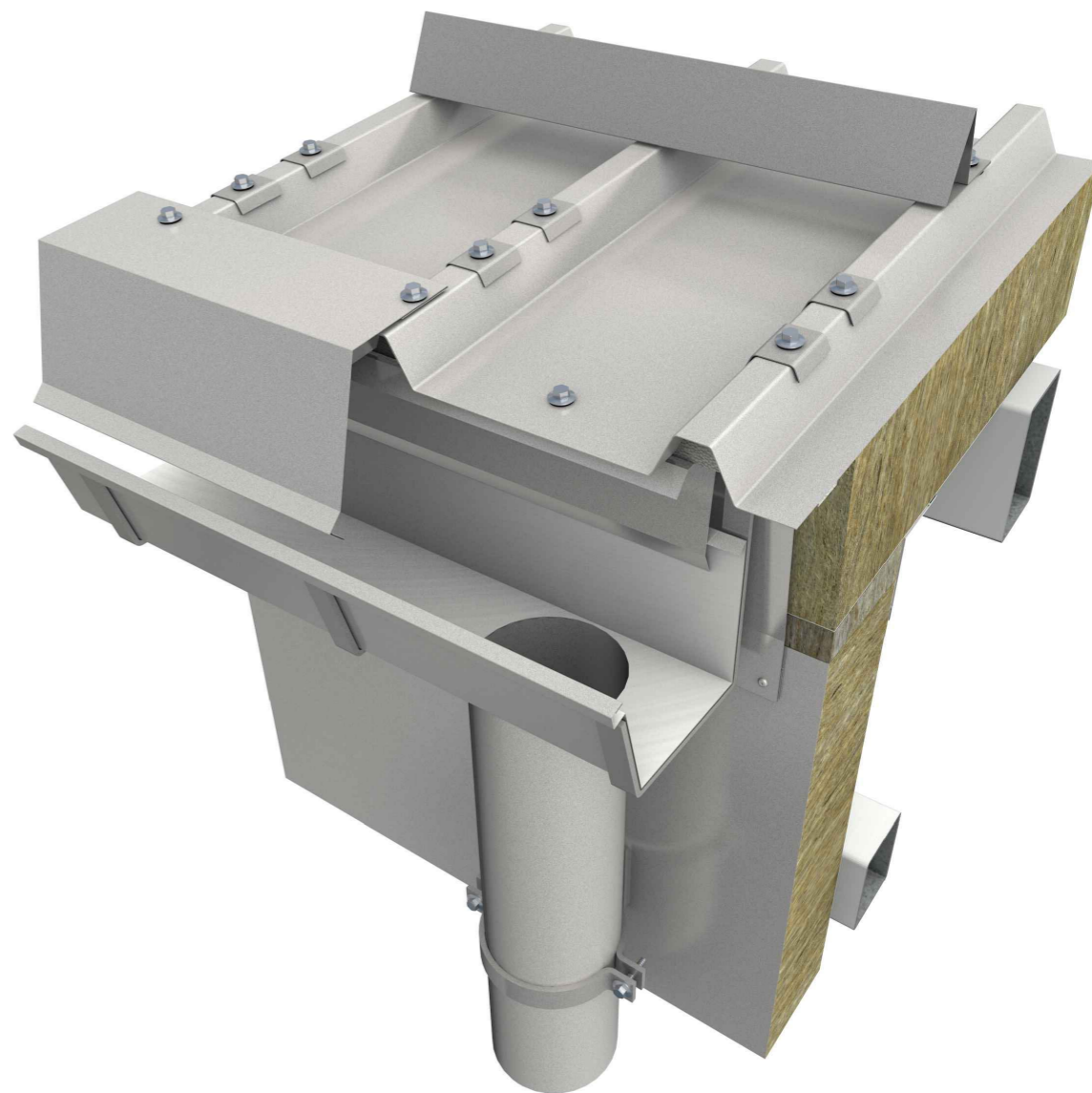
FUNCTION

- FIRE - fire-resistant system
- FOOGIENE - food & hygiene system
- BASE - backing-wall system

APPLICATION

- External Facade + External Soffit
- Internal Wall + Internal Ceiling
- Flat Roof ● Pitched Roof

DETAIL VIEW



CLOSE VIEW



ADVANTAGES

- Best fit with a roof pitch from 5°
- Fire resistance up to REI180
- U Thermal transmittance as low as 0.16 W/m²K
- Up to 240 mm thick and up to 14 m long in module 1000 mm
- Quick installation and designing with BIM support



PITCHED INSTALLATION

TRIMOTERM SNV

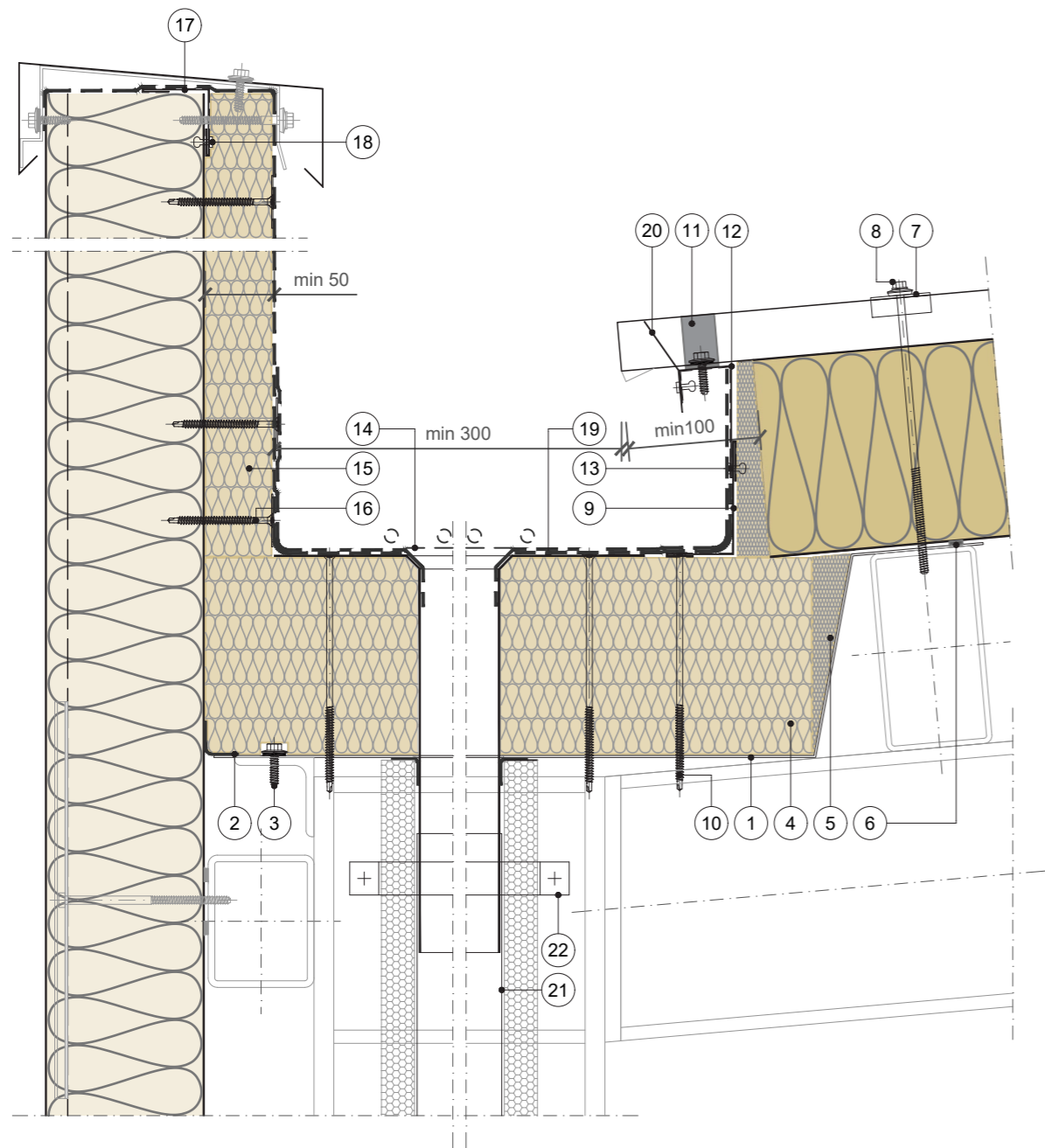
FUNCTION

- FIRE - fire-resistant system
- FOOGIENE - food & hygiene system
- BASE - backing-wall system

APPLICATION

- External Facade + External Soffit
- Internal Wall + Internal Ceiling
- Flat Roof ● Pitched Roof

VERTICAL CUT



POS.	ELEMENTS				SCALE: M 1:5
1	Gutter element	9	Flashing - laminated PVC metal	17	Flashing - laminated PVC metal
2	Vapor barrier membrane	10	Fixing screw	18	Blind rivet
3	Fixing screw short	11	Profile filler SNV - positive	19	PVC Foil
4	Thermal insulation DDP	12	Flashing - laminated PVC metal	20	Covering flashing - positive
5	Thermal insulation soft	13	Blind rivet	21	Down pipe
6	Sealing tape	14	PVC outlet connection	22	Down pipe support
7	Saddle washer	15	Thermal insulation - hard		
8	Fixing screw	16	PVC Foil fastener		



PITCHED INSTALLATION

TRIMOTERM SNV

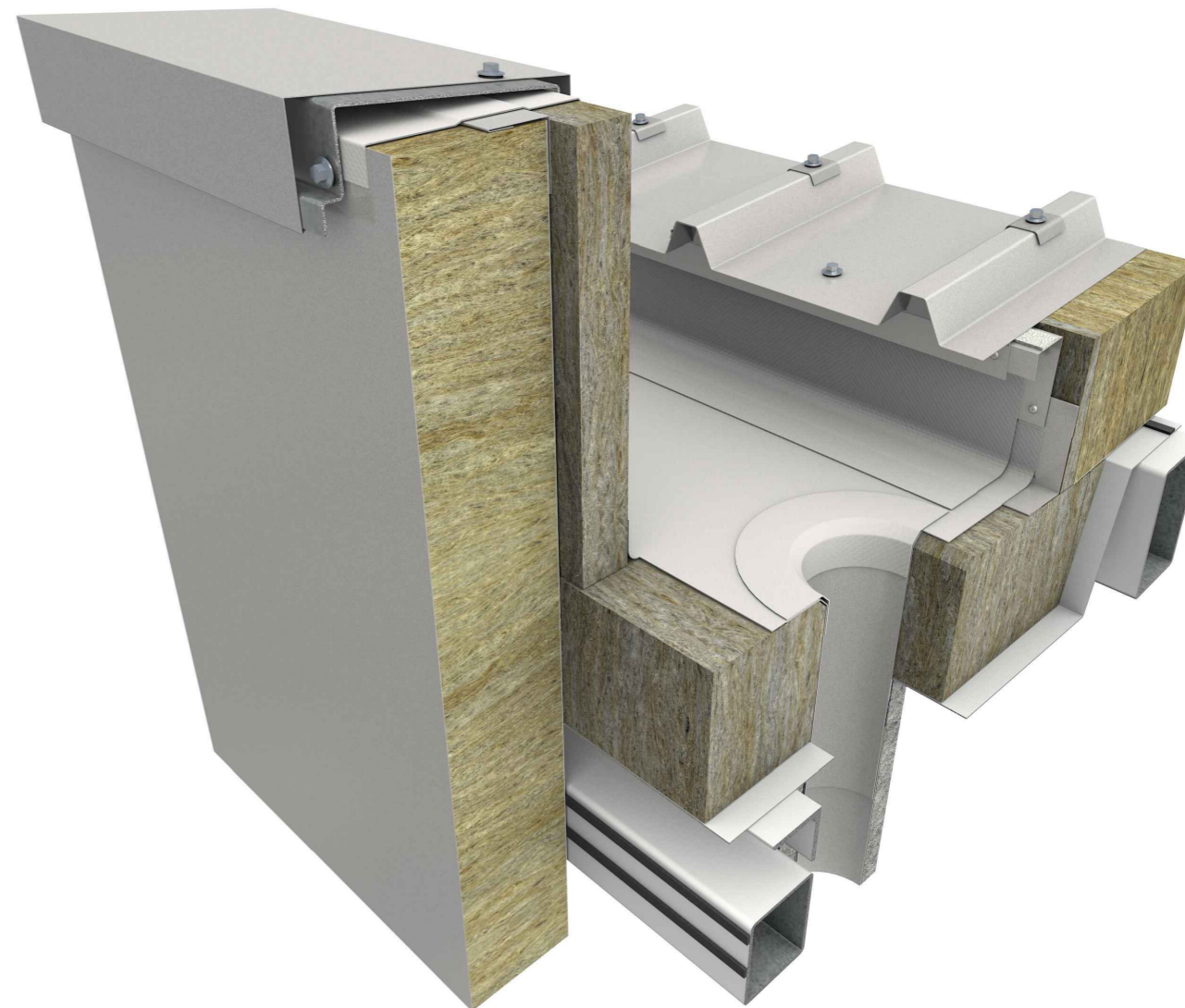
FUNCTION

- FIRE - fire-resistant system
- FOOGIENE - food & hygiene system
- BASE - backing-wall system

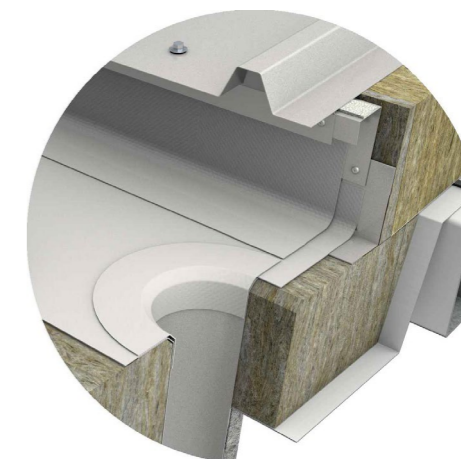
APPLICATION

- External Facade + External Soffit
- Internal Wall + Internal Ceiling
- Flat Roof ● Pitched Roof

DETAIL VIEW



CLOSE VIEW



ADVANTAGES

- Best fit with a roof pitch from 5°
- Fire resistance up to REI180
- U Thermal transmittance as low as 0.16 W/m²K
- Up to 240 mm thick and up to 14 m long in module 1000 mm
- Quick installation and designing with BIM support



PITCHED INSTALLATION

TRIMOTERM SNV

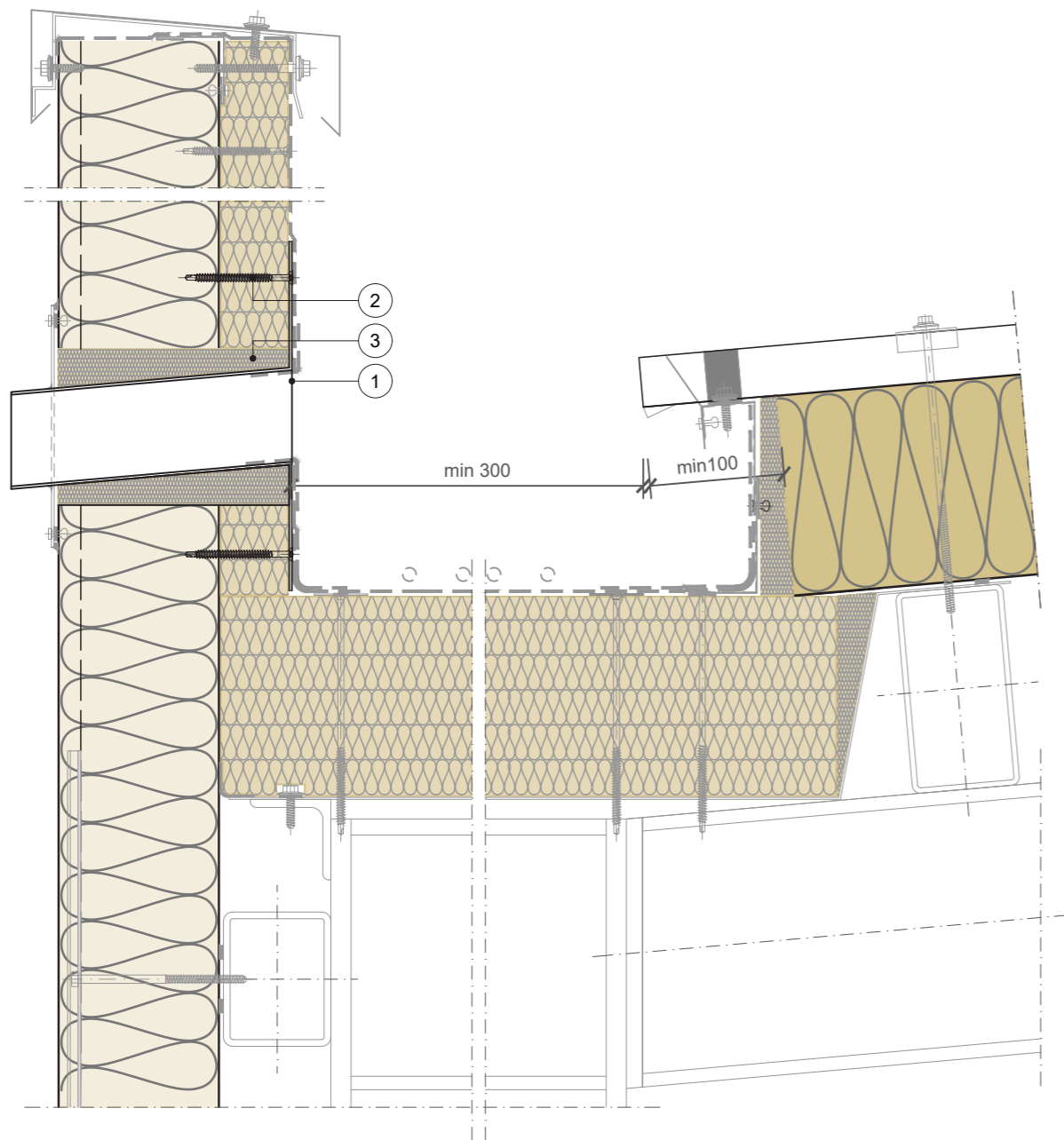
FUNCTION

- FIRE - fire-resistant system
- FOOGIENE - food & hygiene system
- BASE - backing-wall system

APPLICATION

- External Facade + External Soffit
- Internal Wall + Internal Ceiling
- Flat Roof ● Pitched Roof

VERTICAL CUT



POS.	ELEMENTS	SCALE: M 1:5
1	PVC roof overflow	
2	Fixing screw	
3	Thermal insulation	

PARAPET

Trimo Group holds full copyrights on the information and details provided on this media, therefore any unauthorized reproduction and distribution is strictly prohibited.



PITCHED INSTALLATION

TRIMOTERM SNV

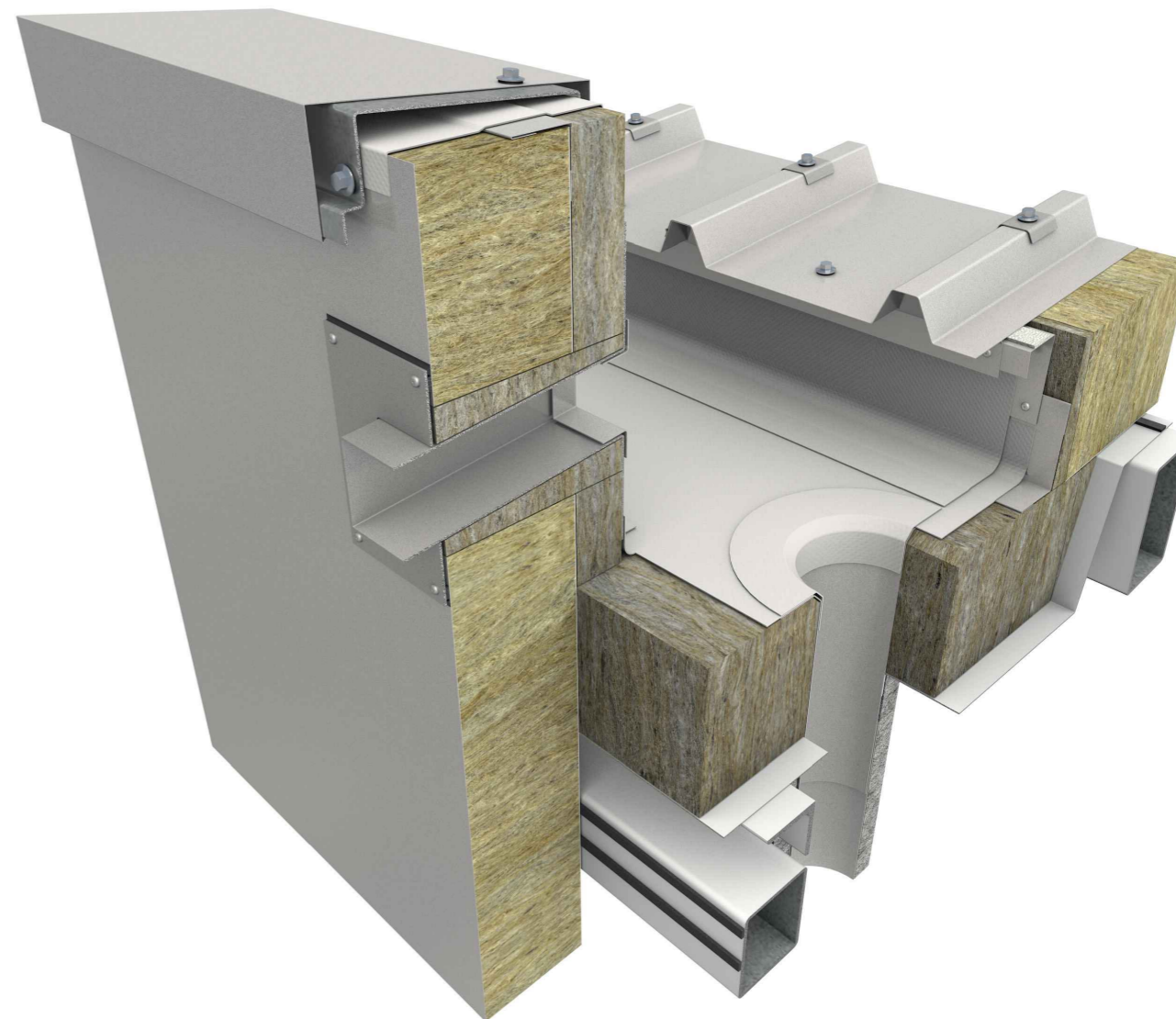
FUNCTION

- FIRE - fire-resistant system
- FOOGIENE - food & hygiene system
- BASE - backing-wall system

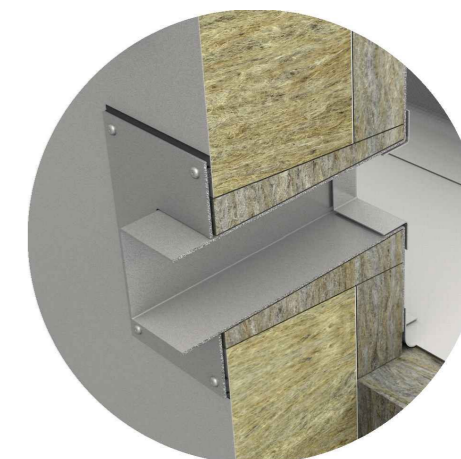
APPLICATION

- External Facade + External Soffit
- Internal Wall + Internal Ceiling
- Flat Roof ● Pitched Roof

DETAIL VIEW



CLOSE VIEW



ADVANTAGES

- Best fit with a roof pitch from 5°
- Fire resistance up to REI180
- U Thermal transmittance as low as 0.16 W/m²K
- Up to 240 mm thick and up to 14 m long in module 1000 mm
- Quick installation and designing with BIM support

PARAPET

Trimo Group holds full copyrights on the information and details provided on this media, therefore any unauthorized reproduction and distribution is strictly prohibited.



PITCHED INSTALLATION

TRIMOTERM SNV

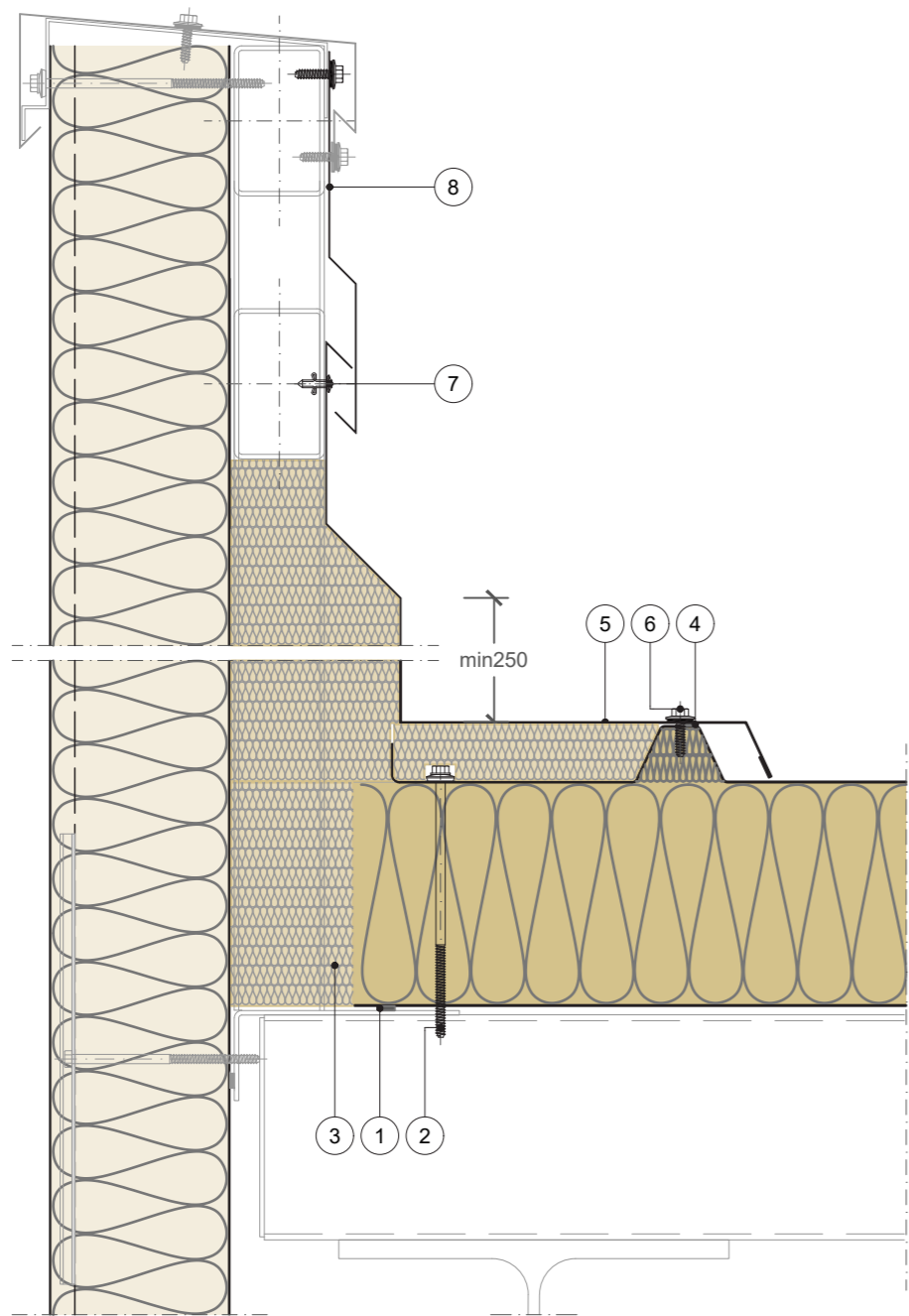
FUNCTION

- FIRE - fire-resistant system
- FOOGIENE - food & hygiene system
- BASE - backing-wall system

APPLICATION

- External Facade + External Soffit
- Internal Wall + Internal Ceiling
- Flat Roof ● Pitched Roof

VERTICAL CUT



POS.	ELEMENTS	POS.	ELEMENTS	SCALE: M 1:5
1	Sealing tape	5	Flashing	
2	Fixing screw	6	Fixing screw short	
3	Thermal insulation	7	Bulb tite rivet	
4	Sealing tape	8	Parapet flashing	

GABLE

Trimo Group holds full copyrights on the information and details provided on this media, therefore any unauthorized reproduction and distribution is strictly prohibited.



PITCHED INSTALLATION

TRIMOTERM SNV

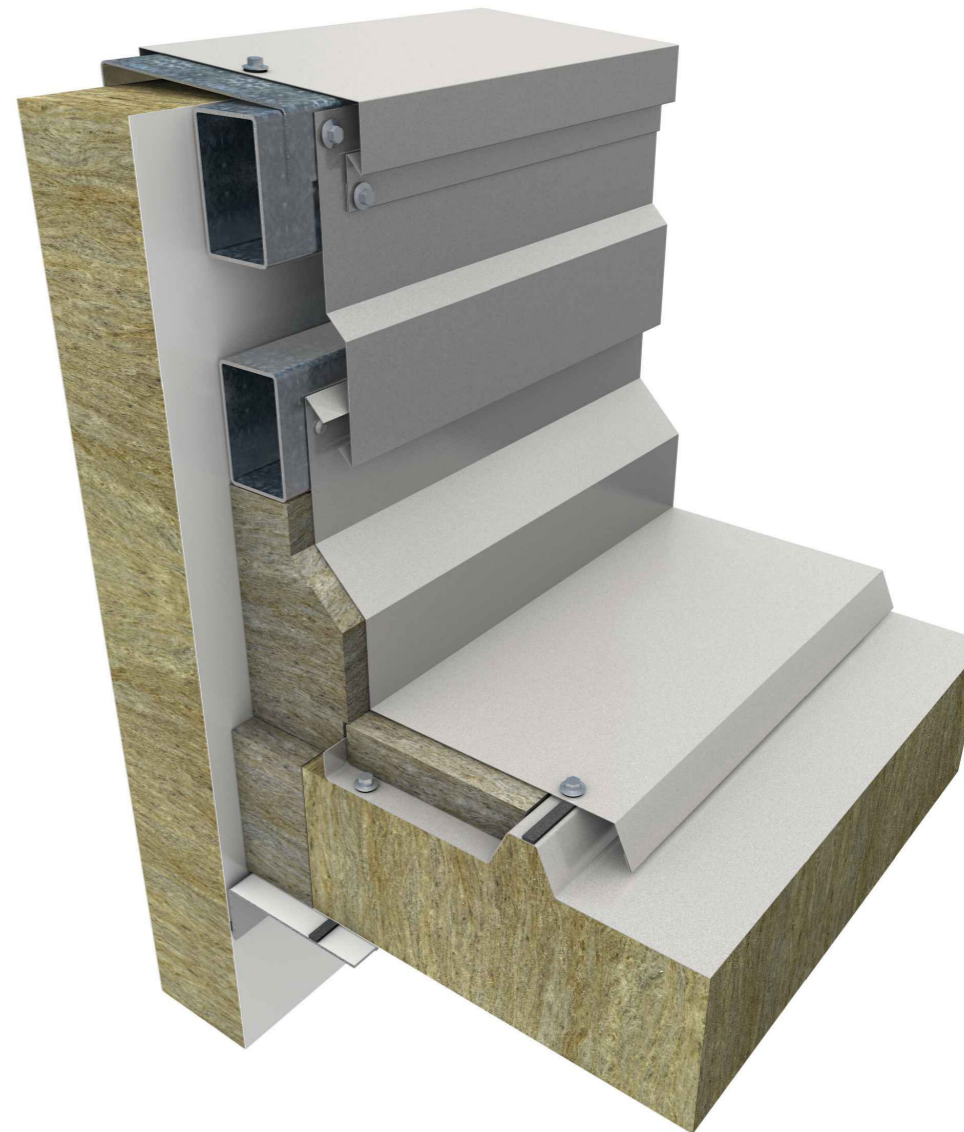
FUNCTION

- FIRE - fire-resistant system
- FOOGIENE - food & hygiene system
- BASE - backing-wall system

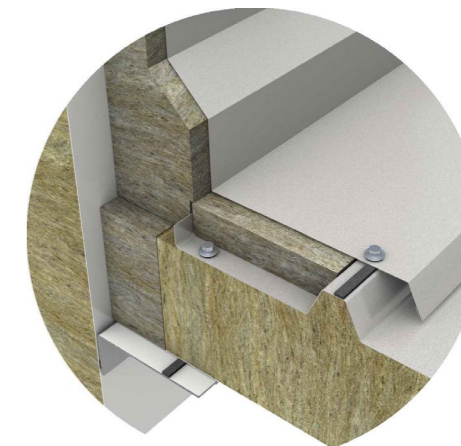
APPLICATION

- External Facade + External Soffit
- Internal Wall + Internal Ceiling
- Flat Roof ● Pitched Roof

DETAIL VIEW



CLOSE VIEW



ADVANTAGES

- Best fit with a roof pitch from 5°
- Fire resistance up to REI180
- U Thermal transmittance as low as 0.16 W/m²K
- Up to 240 mm thick and up to 14 m long in module 1000 mm
- Quick installation and designing with BIM support

GABLE

Trimo Group holds full copyrights on the information and details provided on this media, therefore any unauthorized reproduction and distribution is strictly prohibited.



PITCHED INSTALLATION

TRIMOTERM SNV

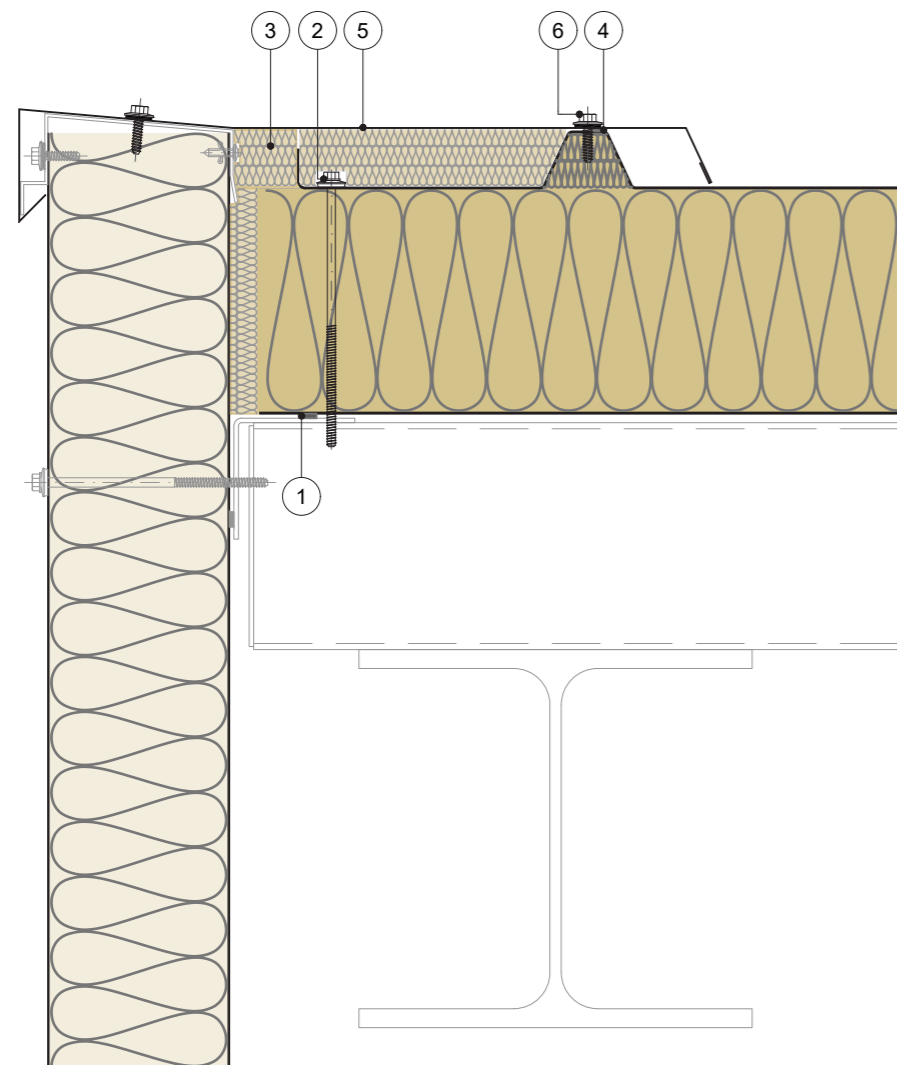
FUNCTION

- FIRE - fire-resistant system
- FOOGIENE - food & hygiene system
- BASE - backing-wall system

APPLICATION

- External Facade + External Soffit
- Internal Wall + Internal Ceiling
- Flat Roof ● Pitched Roof

VERTICAL CUT



POS.	ELEMENTS	SCALE: M 1:5
1	Sealing tape	
2	Fixing screw	
3	Thermal insulation	
4	Sealing tape	
5	Roof mask - gable	
6	Fixing screw short	

GABLE

Trimo Group holds full copyrights on the information and details provided on this media, therefore any unauthorized reproduction and distribution is strictly prohibited.



PITCHED INSTALLATION

TRIMOTERM SNV

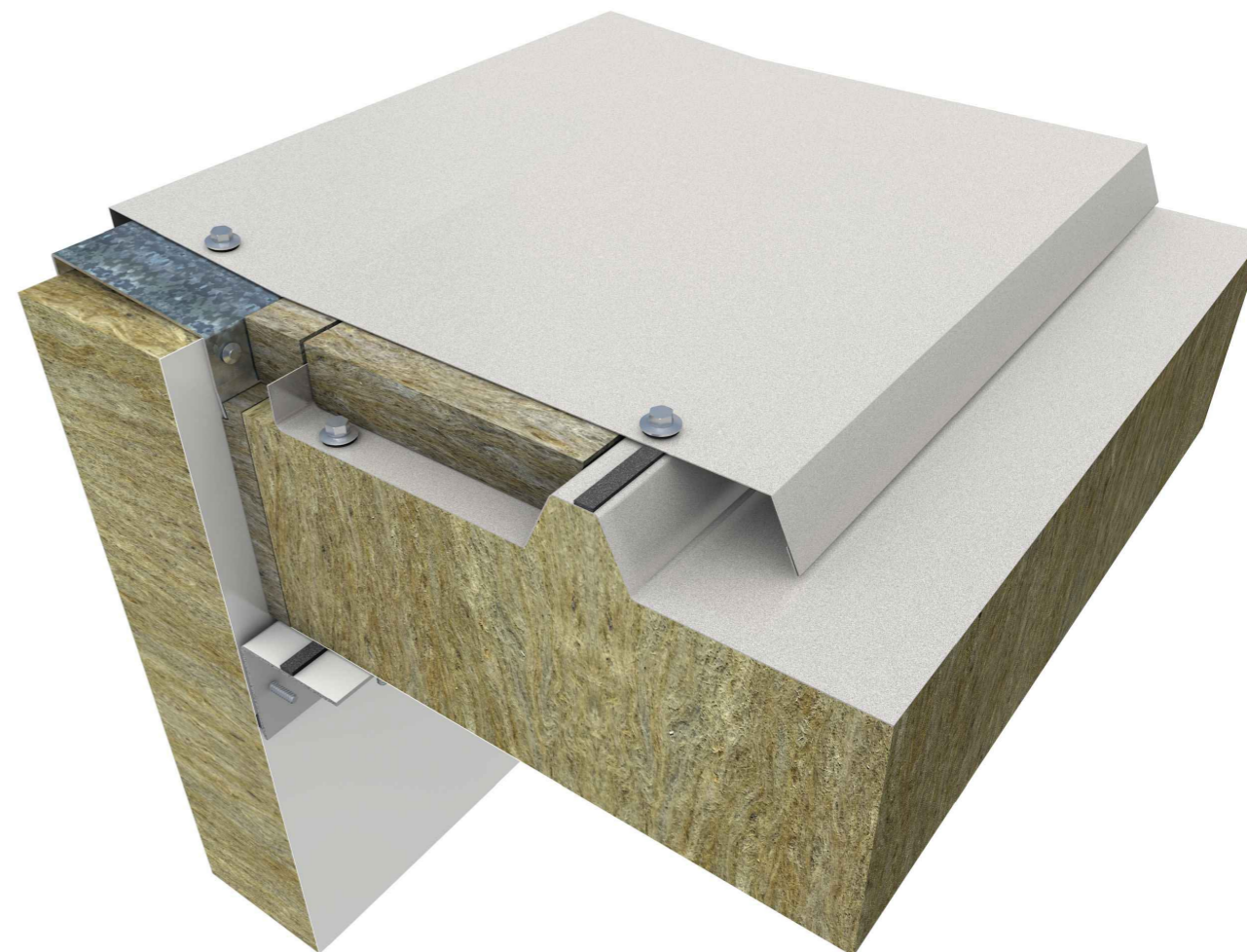
FUNCTION

- FIRE - fire-resistant system
- FOOGIENE - food & hygiene system
- BASE - backing-wall system

APPLICATION

- External Facade + External Soffit
- Internal Wall + Internal Ceiling
- Flat Roof ● Pitched Roof

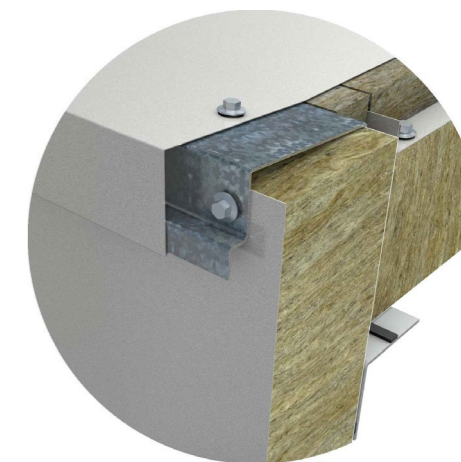
DETAIL VIEW



CLOSE VIEW

ADVANTAGES

- Best fit with a roof pitch from 5°
- Fire resistance up to REI180
- U Thermal transmittance as low as 0.16 W/m²K
- Up to 240 mm thick and up to 14 m long in module 1000 mm
- Quick installation and designing with BIM support



GABLE

Trimo Group holds full copyrights on the information and details provided on this media, therefore any unauthorized reproduction and distribution is strictly prohibited.



PITCHED INSTALLATION

TRIMOTERM SNV

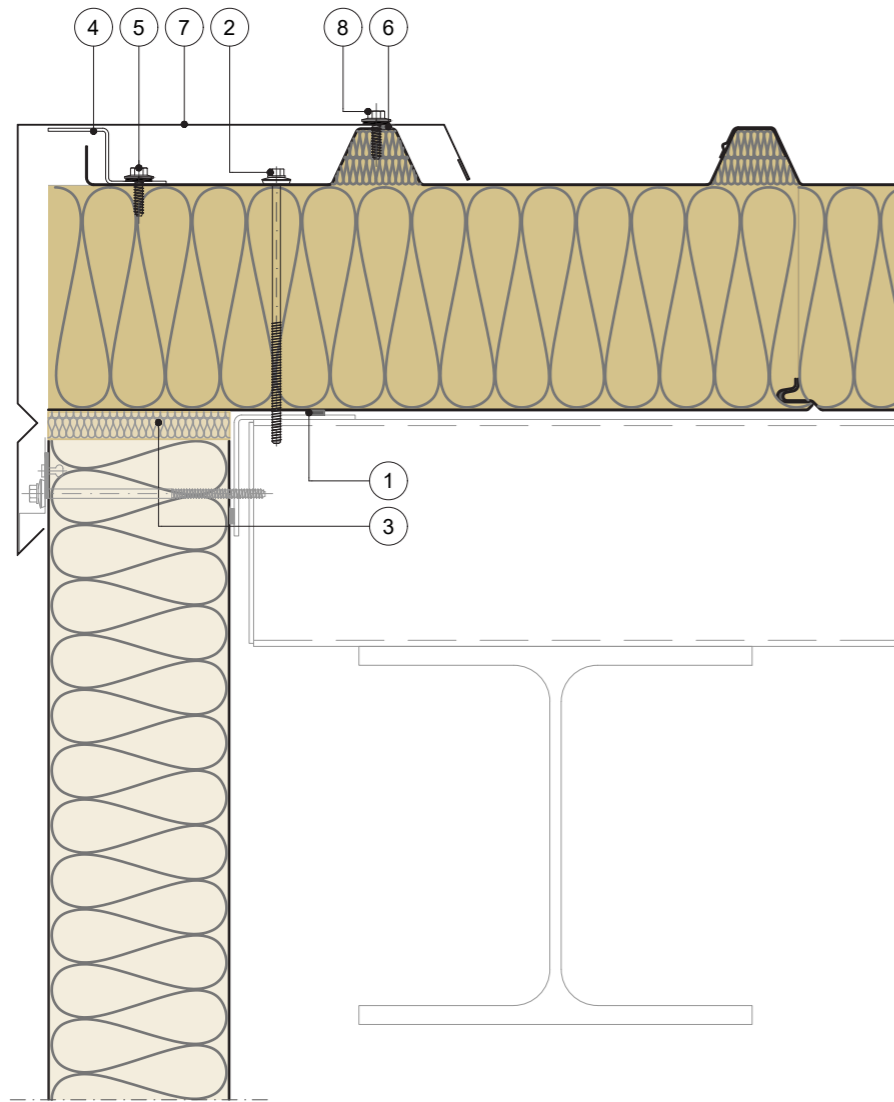
FUNCTION

- FIRE - fire-resistant system
- FOOGIENE - food & hygiene system
- BASE - backing-wall system

APPLICATION

- External Facade + External Soffit
- Internal Wall + Internal Ceiling
- Flat Roof ● Pitched Roof

VERTICAL CUT



POS.	ELEMENTS	SCALE: M 1:5
1	Sealing tape	
2	Fixing screw	
3	Thermal insulation	
4	Gable flashing support	
5	Fixing screw short	
6	Sealing tape	
7	Gable roof mask	

GABLE

Trimo Group holds full copyrights on the information and details provided on this media, therefore any unauthorized reproduction and distribution is strictly prohibited.



PITCHED INSTALLATION

TRIMOTERM SNV

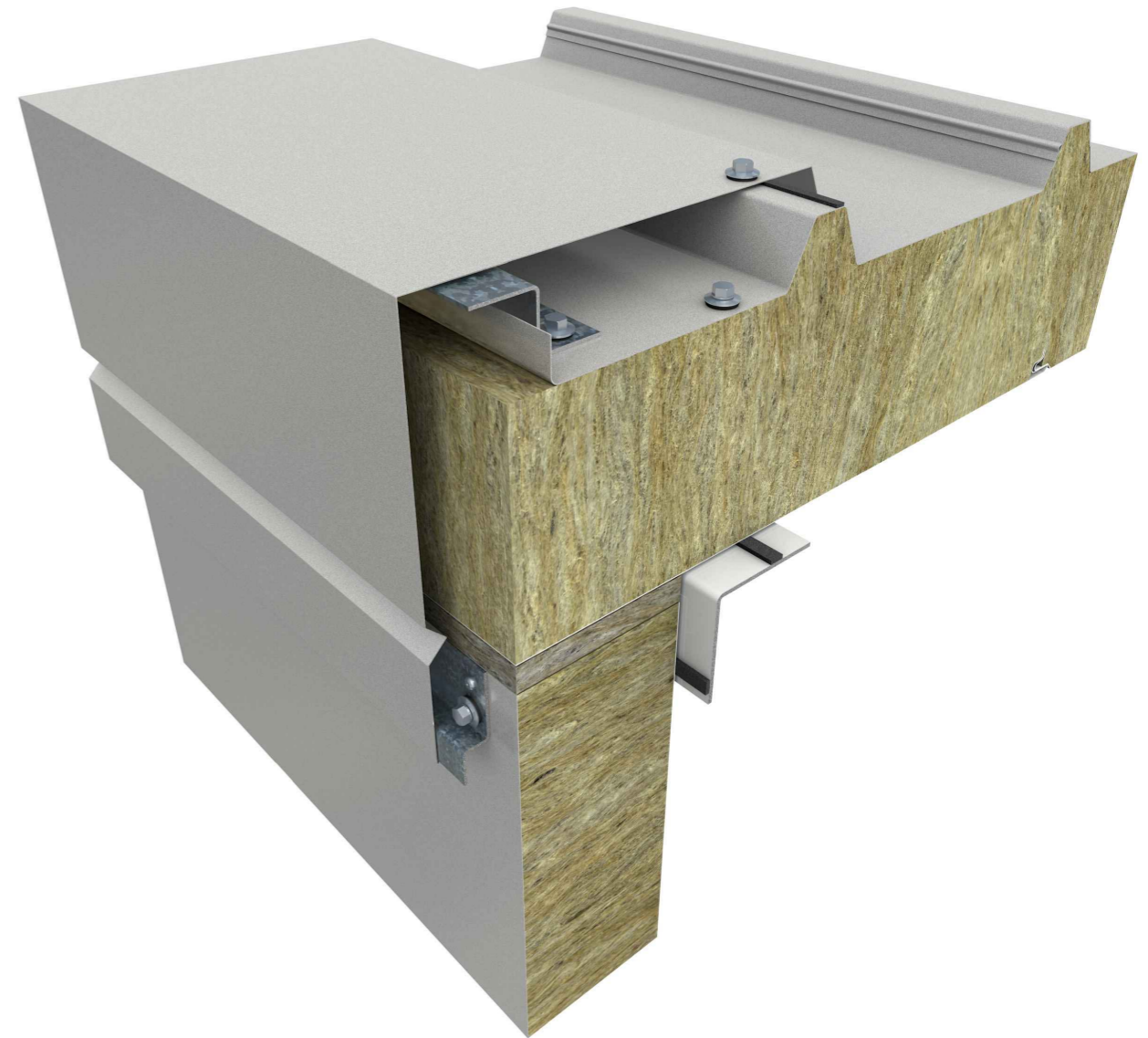
FUNCTION

- FIRE - fire-resistant system
- FOOGIENE - food & hygiene system
- BASE - backing-wall system

APPLICATION

- External Facade + External Soffit
- Internal Wall + Internal Ceiling
- Flat Roof ● Pitched Roof

DETAIL VIEW



CLOSE VIEW



ADVANTAGES

- Best fit with a roof pitch from 5°
- Fire resistance up to REI180
- U Thermal transmittance as low as 0.16 W/m²K
- Up to 240 mm thick and up to 14 m long in module 1000 mm
- Quick installation and designing with BIM support

GABLE

Trimo Group holds full copyrights on the information and details provided on this media, therefore any unauthorized reproduction and distribution is strictly prohibited.



PITCHED INSTALLATION

TRIMOTERM SNV

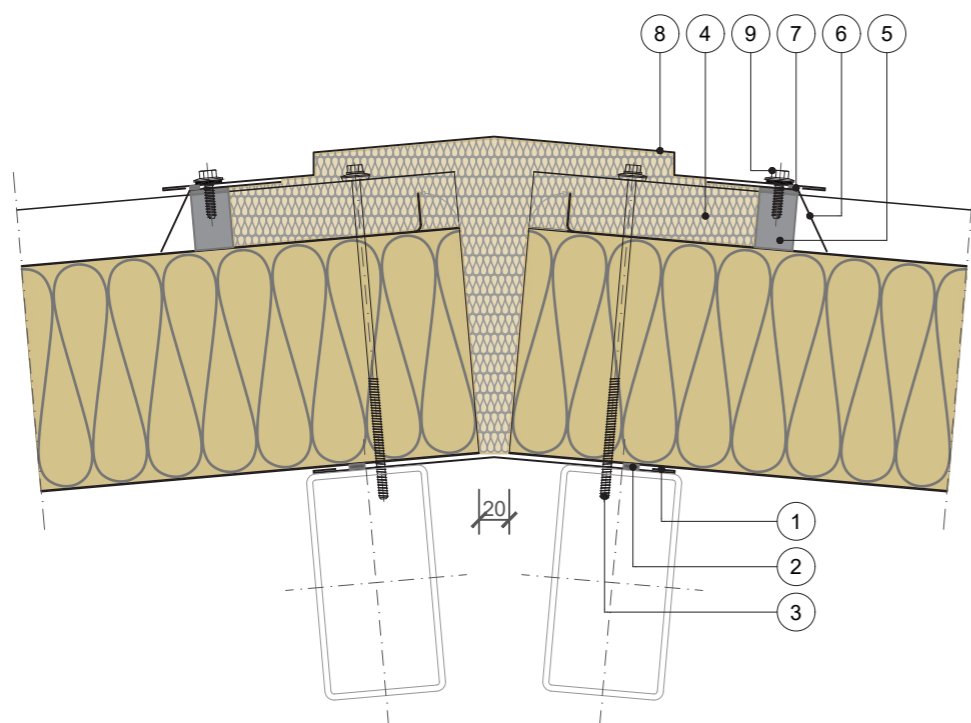
FUNCTION

- FIRE - fire-resistant system
- FOOGIENE - food & hygiene system
- BASE - backing-wall system

APPLICATION

- External Facade + External Soffit
- Internal Wall + Internal Ceiling
- Flat Roof
- Pitched Roof

VERTICAL CUT



POS.	ELEMENTS	SCALE: M 1:5
1	Internal ridge flashing	
2	Sealing tape	
3	Fixing screw	
4	Thermal insulation	
5	Profile filler SNV - negative	
6	Covering flashing - negative	
7	Sealing tape	
8	External ridge flashing	
9	Fixing screw short	

RIDGE

Trimo Group holds full copyrights on the information and details provided on this media, therefore any unauthorized reproduction and distribution is strictly prohibited.



PITCHED INSTALLATION

TRIMOTERM SNV

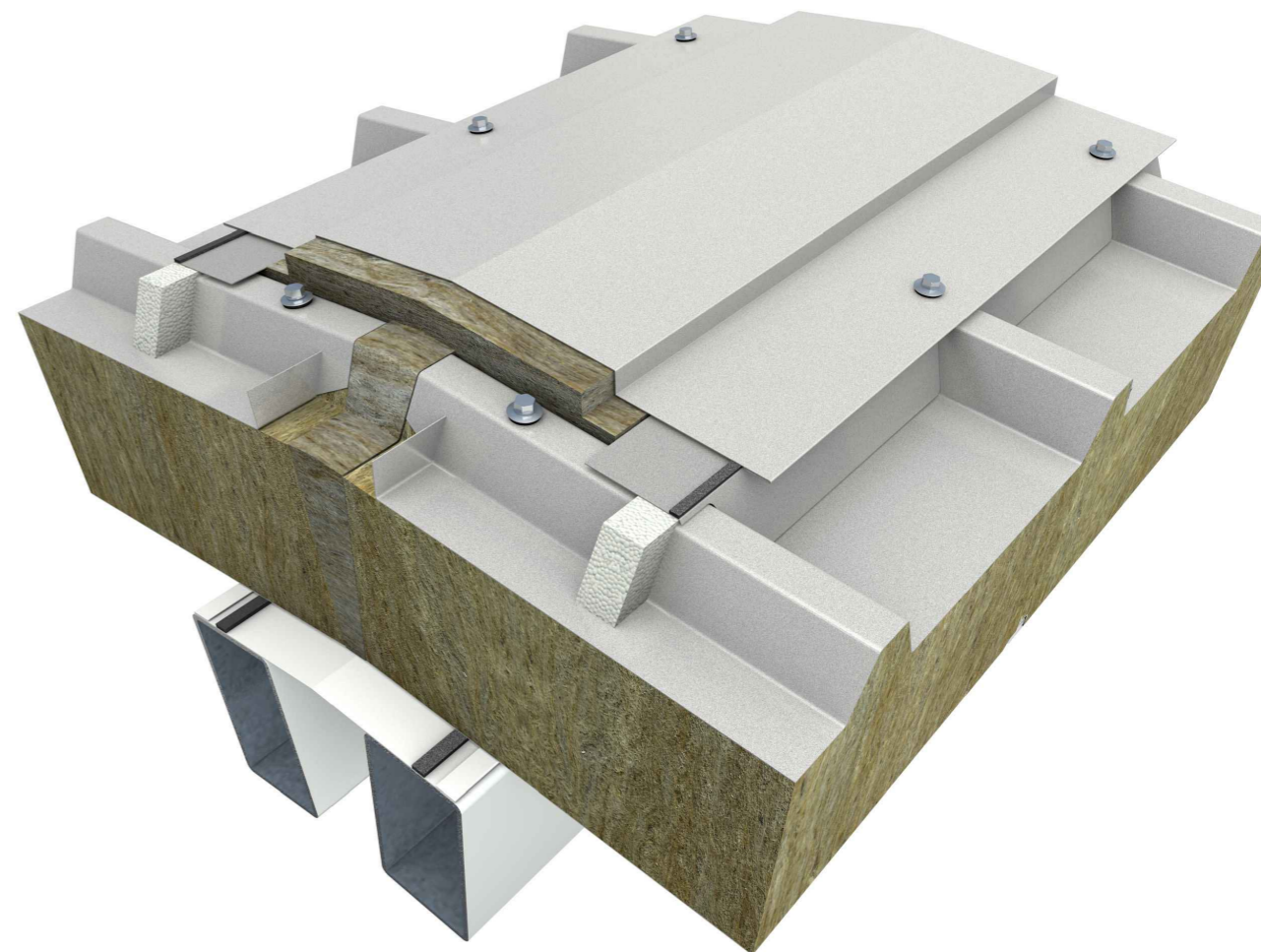
FUNCTION

- FIRE - fire-resistant system
- FOOGIENE - food & hygiene system
- BASE - backing-wall system

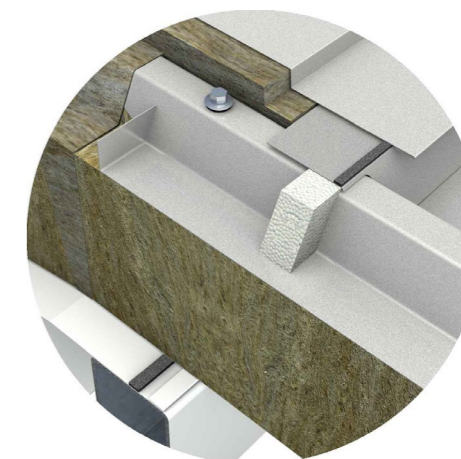
APPLICATION

- External Facade + External Soffit
- Internal Wall + Internal Ceiling
- Flat Roof
- Pitched Roof

DETAIL VIEW



CLOSE VIEW



ADVANTAGES

- Best fit with a roof pitch from 5°
- Fire resistance up to REI180
- U Thermal transmittance as low as 0.16 W/m²K
- Up to 240 mm thick and up to 14 m long in module 1000 mm
- Quick installation and designing with BIM support

RIDGE

Trimo Group holds full copyrights on the information and details provided on this media, therefore any unauthorized reproduction and distribution is strictly prohibited.



PITCHED INSTALLATION

FUNCTION

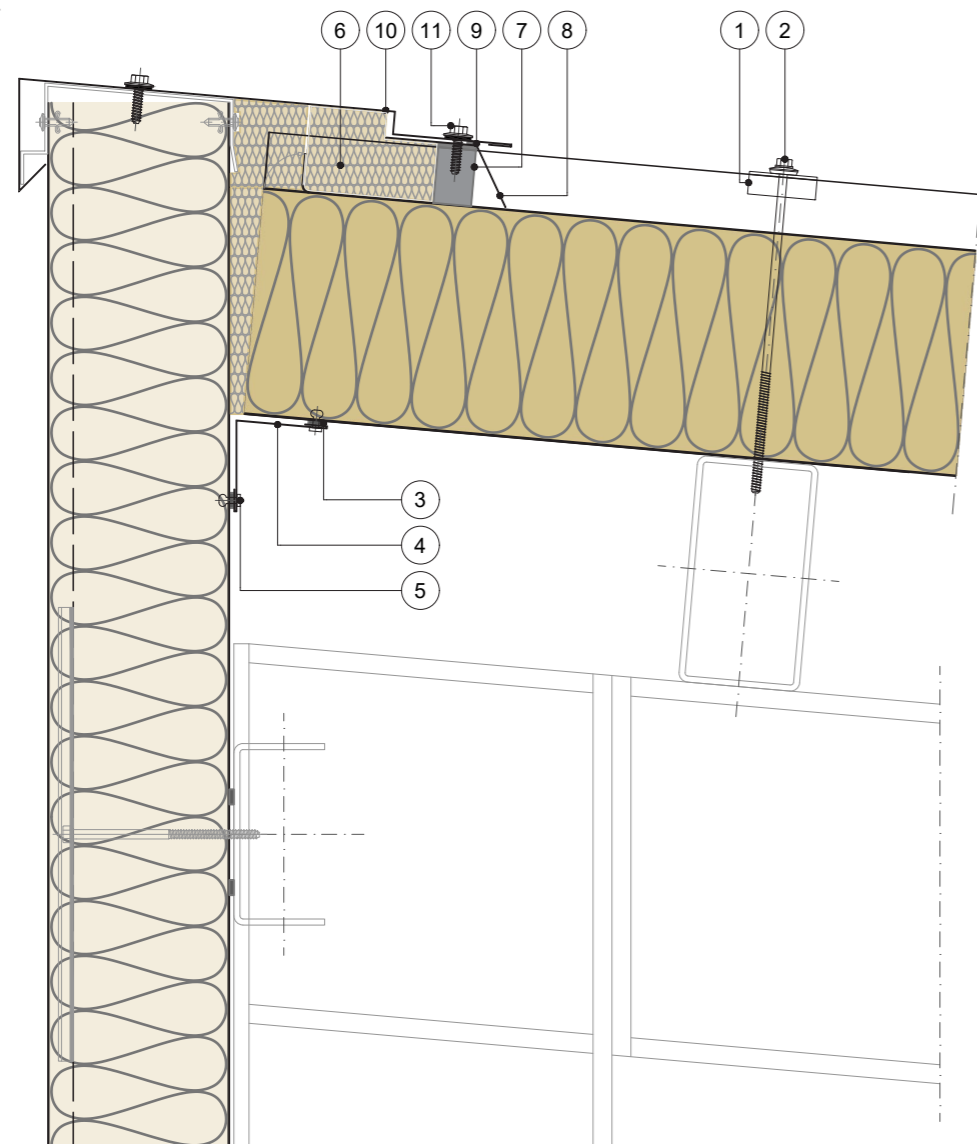
- FIRE - fire-resistant system
- FOOGIENE - food & hygiene system
- BASE - backing-wall system

APPLICATION

- External Facade + External Soffit
- Internal Wall + Internal Ceiling
- Flat Roof ● Pitched Roof

TRIMOTERM SNV

VERTICAL CUT



POS.	ELEMENTS	SCALE: M 1:5
1	Saddle washer	
2	Fixing screw	
3	Sealing tape	
4	Internal corner flashing	
5	Blind rivet	
6	Thermal insulation	
7	Profile filler SNV - negative	
8	Covering flashing - negative	
9	Sealing tape	
10	Mono ridge flashing	
11	Fixing screw short	

RIDGE

Trimo Group holds full copyrights on the information and details provided on this media, therefore any unauthorized reproduction and distribution is strictly prohibited.



PITCHED INSTALLATION

FUNCTION

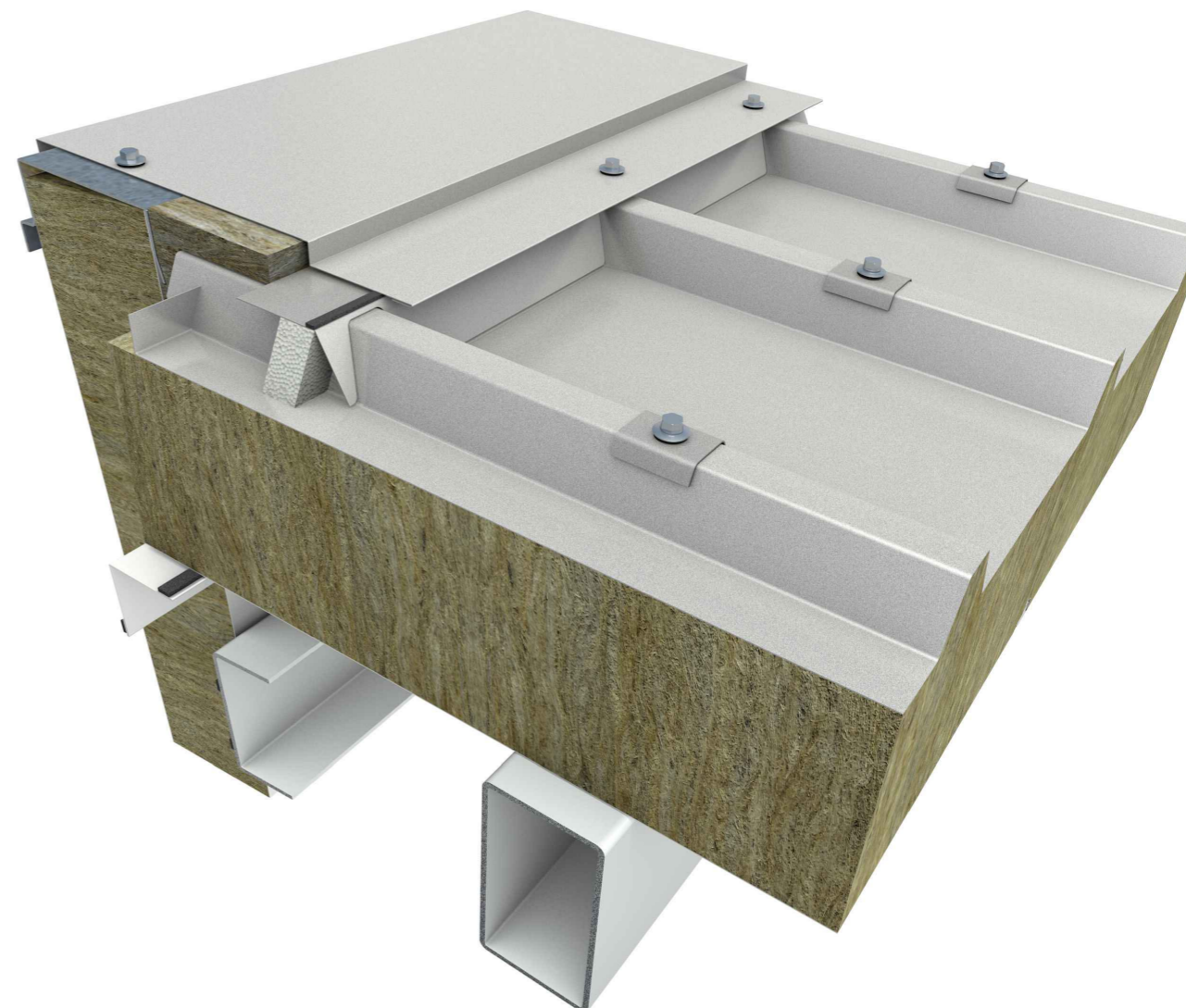
- FIRE - fire-resistant system
- FOOGIENE - food & hygiene system
- BASE - backing-wall system

APPLICATION

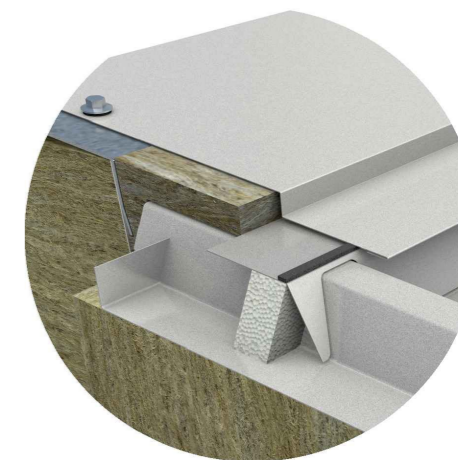
- External Facade + External Soffit
- Internal Wall + Internal Ceiling
- Flat Roof ● Pitched Roof

TRIMOTERM SNV

DETAIL VIEW



CLOSE VIEW



ADVANTAGES

- Best fit with a roof pitch from 5°
- Fire resistance up to REI180
- U Thermal transmittance as low as 0.16 W/m²K
- Up to 240 mm thick and up to 14 m long in module 1000 mm
- Quick installation and designing with BIM support

RIDGE

Trimo Group holds full copyrights on the information and details provided on this media, therefore any unauthorized reproduction and distribution is strictly prohibited.



PITCHED INSTALLATION

TRIMOTERM SNV

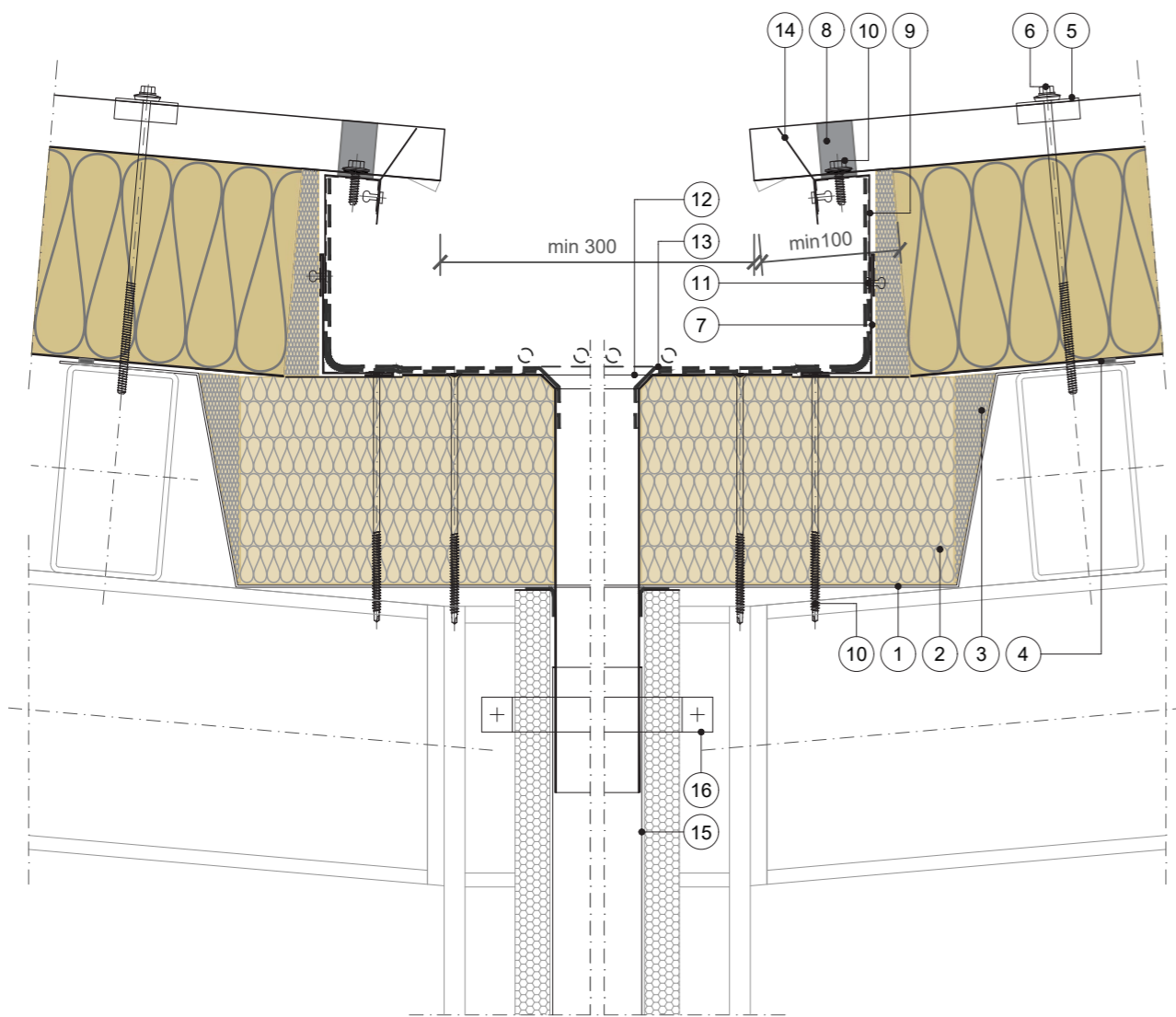
FUNCTION

- FIRE - fire-resistant system
- FOOGIENE - food & hygiene system
- BASE - backing-wall system

APPLICATION

- External Facade + External Soffit
- Internal Wall + Internal Ceiling
- Flat Roof ● Pitched Roof

VERTICAL CUT



POS.	ELEMENTS	POS.	ELEMENTS	SCALE: M 1:5
1	Gutter element	9	Flashing - laminated PVC metal	
2	Thermal insulation DDP	10	Fixing screw short	
3	Thermal insulation soft	11	Blind rivet	
4	Sealing tape	12	PVC outlet connection	
5	Saddle washer	13	PVC Foil	
6	Fixing screw	14	Covering flashing - positive	
7	Flashing - laminated PVC metal	15	Down pipe	
8	Profile filler SNV - positive	16	Down pipe support	



PITCHED INSTALLATION

TRIMOTERM SNV

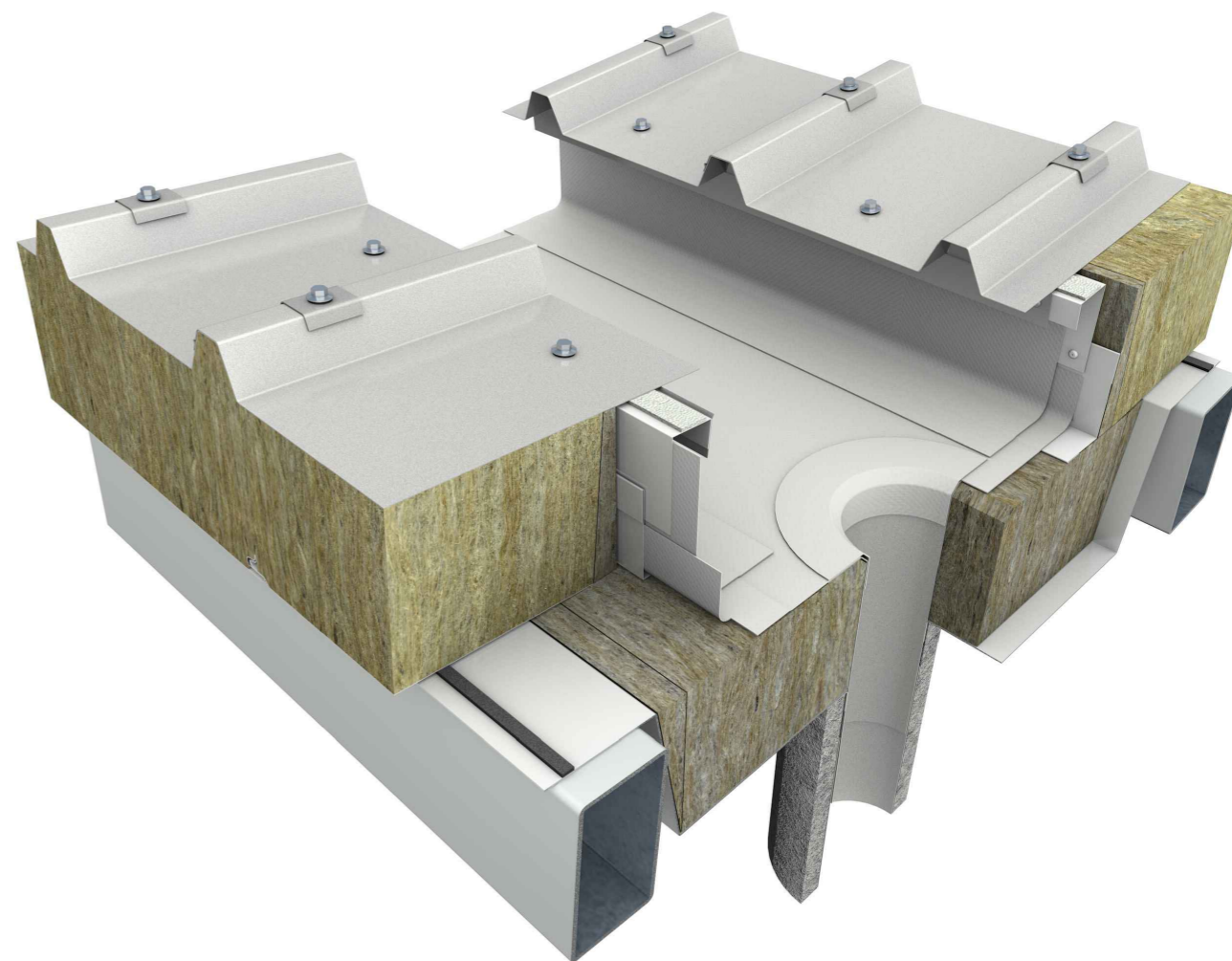
FUNCTION

- FIRE - fire-resistant system
- FOOGIENE - food & hygiene system
- BASE - backing-wall system

APPLICATION

- External Facade + External Soffit
- Internal Wall + Internal Ceiling
- Flat Roof ● Pitched Roof

DETAIL VIEW



CLOSE VIEW



ADVANTAGES

- Best fit with a roof pitch from 5°
- Fire resistance up to REI180
- U Thermal transmittance as low as 0.16 W/m²K
- Up to 240 mm thick and up to 14 m long in module 1000 mm
- Quick installation and designing with BIM support



PITCHED INSTALLATION

TRIMOTERM SNV

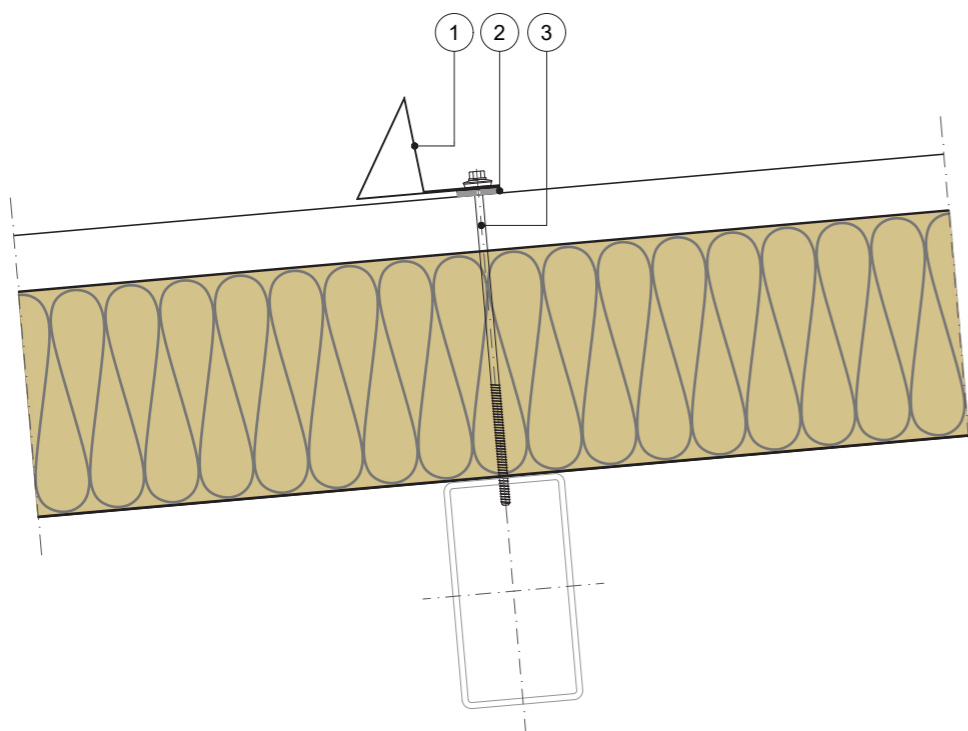
FUNCTION

- FIRE - fire-resistant system
- FOOGIENE - food & hygiene system
- BASE - backing-wall system

APPLICATION

- External Facade + External Soffit
- Internal Wall + Internal Ceiling
- Flat Roof ● Pitched Roof

VERTICAL CUT



POS.	ELEMENTS	SCALE: M 1:5
1	Snow guard	
2	Washer EPDM	
3	Fixing screw	

ADDITION

Trimo Group holds full copyrights on the information and details provided on this media, therefore any unauthorized reproduction and distribution is strictly prohibited.



PITCHED INSTALLATION

TRIMOTERM SNV

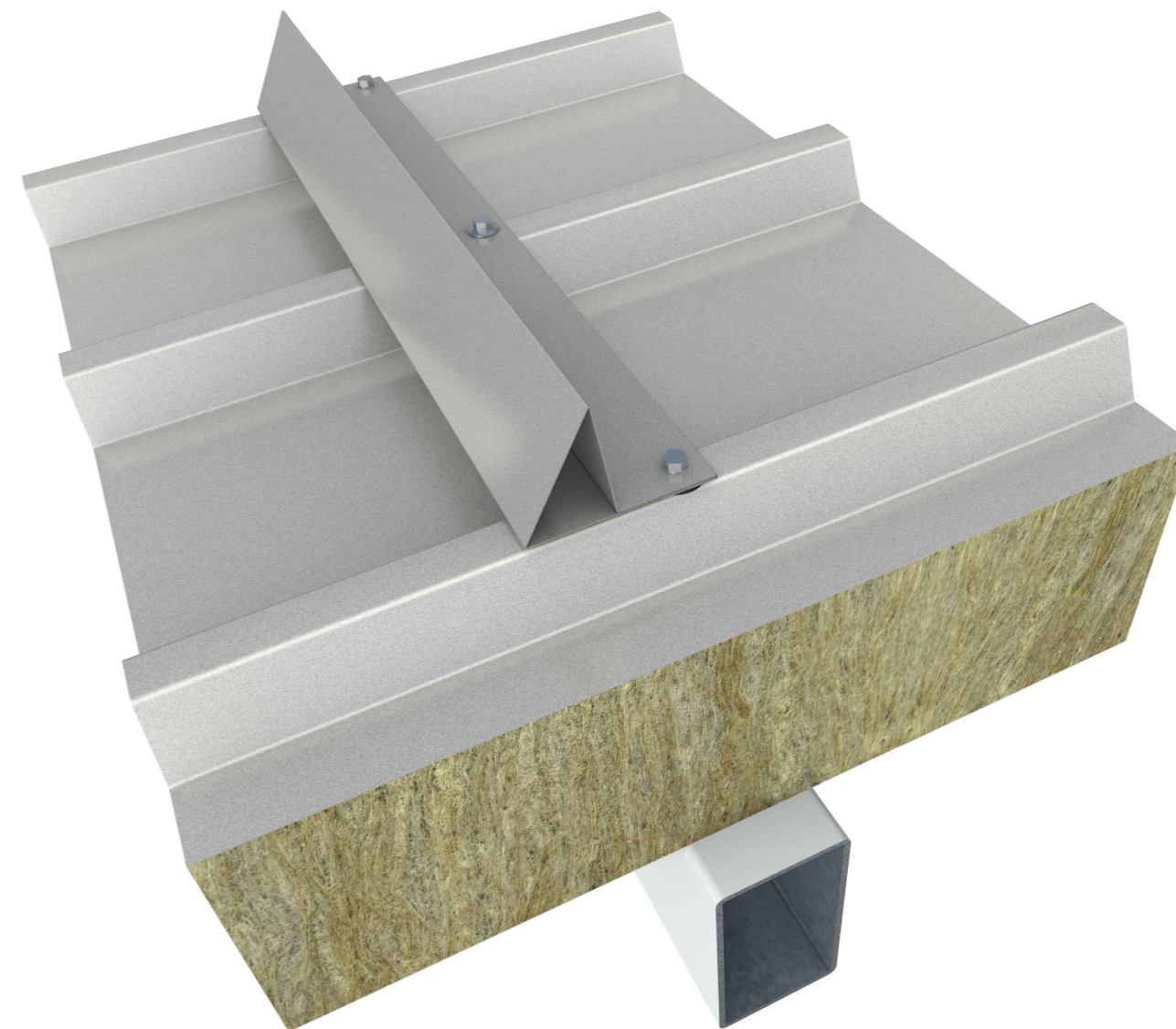
FUNCTION

- FIRE - fire-resistant system
- FOOGIENE - food & hygiene system
- BASE - backing-wall system

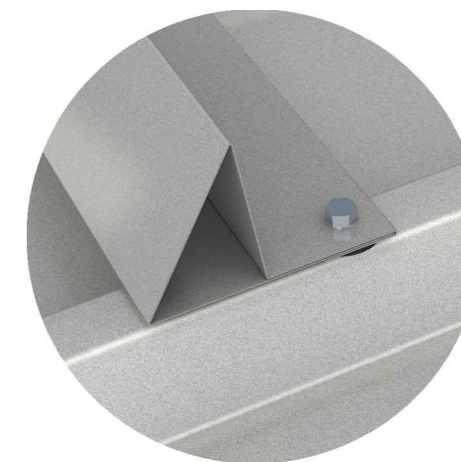
APPLICATION

- External Facade + External Soffit
- Internal Wall + Internal Ceiling
- Flat Roof ● Pitched Roof

DETAIL VIEW



CLOSE VIEW



ADVANTAGES

- Best fit with a roof pitch from 5°
- Fire resistance up to REI180
- U Thermal transmittance as low as 0.16 W/m²K
- Up to 240 mm thick and up to 14 m long in module 1000 mm
- Quick installation and designing with BIM support

ADDITION

Trimo Group holds full copyrights on the information and details provided on this media, therefore any unauthorized reproduction and distribution is strictly prohibited.



PITCHED INSTALLATION

TRIMOTERM SNV

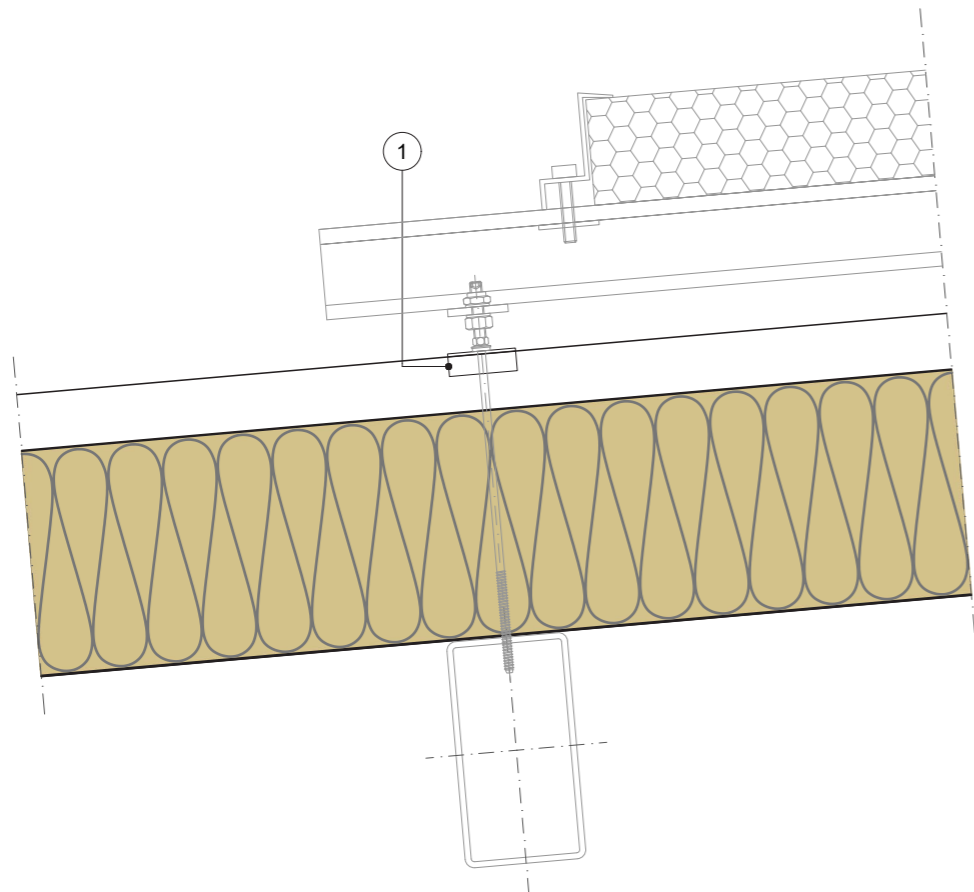
FUNCTION

- FIRE - fire-resistant system
- FOOGIENE - food & hygiene system
- BASE - backing-wall system

APPLICATION

- External Facade + External Soffit
- Internal Wall + Internal Ceiling
- Flat Roof ● Pitched Roof

VERTICAL CUT



POS.	ELEMENTS	SCALE: M 1:5
1	Saddle washer	

ADDITION

Trimo Group holds full copyrights on the information and details provided on this media, therefore any unauthorized reproduction and distribution is strictly prohibited.



PITCHED INSTALLATION

TRIMOTERM SNV

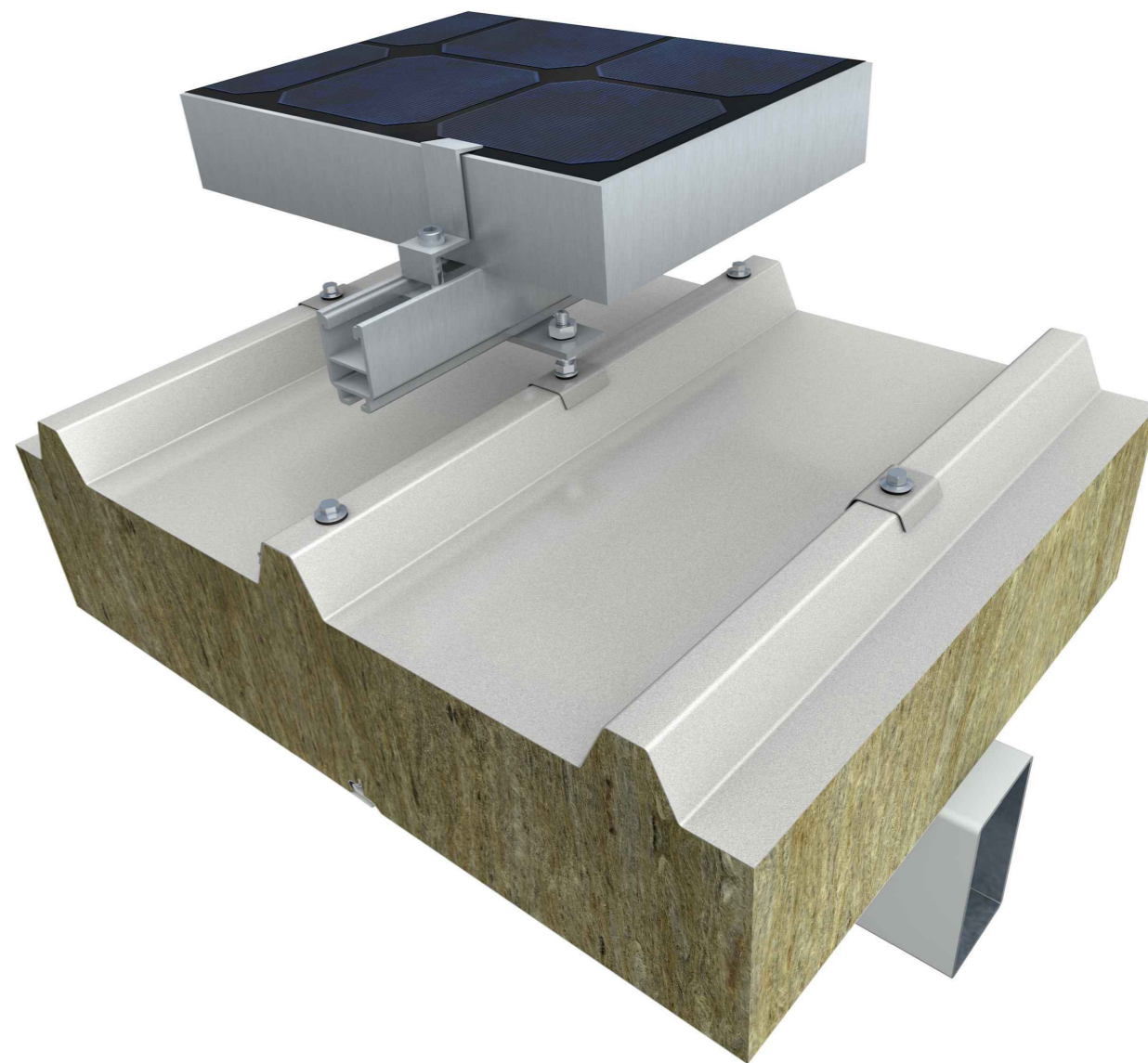
FUNCTION

- FIRE - fire-resistant system
- FOOGIENE - food & hygiene system
- BASE - backing-wall system

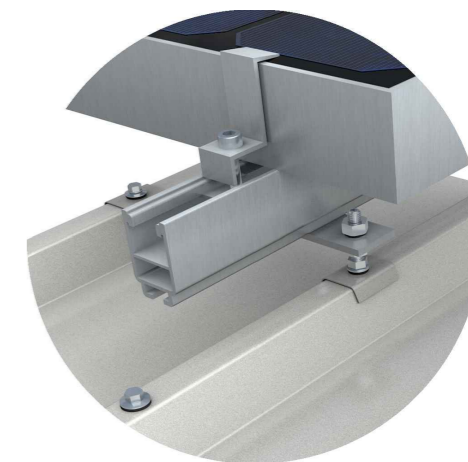
APPLICATION

- External Facade + External Soffit
- Internal Wall + Internal Ceiling
- Flat Roof ● Pitched Roof

DETAIL VIEW



CLOSE VIEW



ADVANTAGES

- Best fit with a roof pitch from 5°
- Fire resistance up to REI180
- U Thermal transmittance as low as 0.16 W/m²K
- Up to 240 mm thick and up to 14 m long in module 1000 mm
- Quick installation and designing with BIM support

ADDITION

Trimo Group holds full copyrights on the information and details provided on this media, therefore any unauthorized reproduction and distribution is strictly prohibited.



PITCHED INSTALLATION

TRIMOTERM SNV

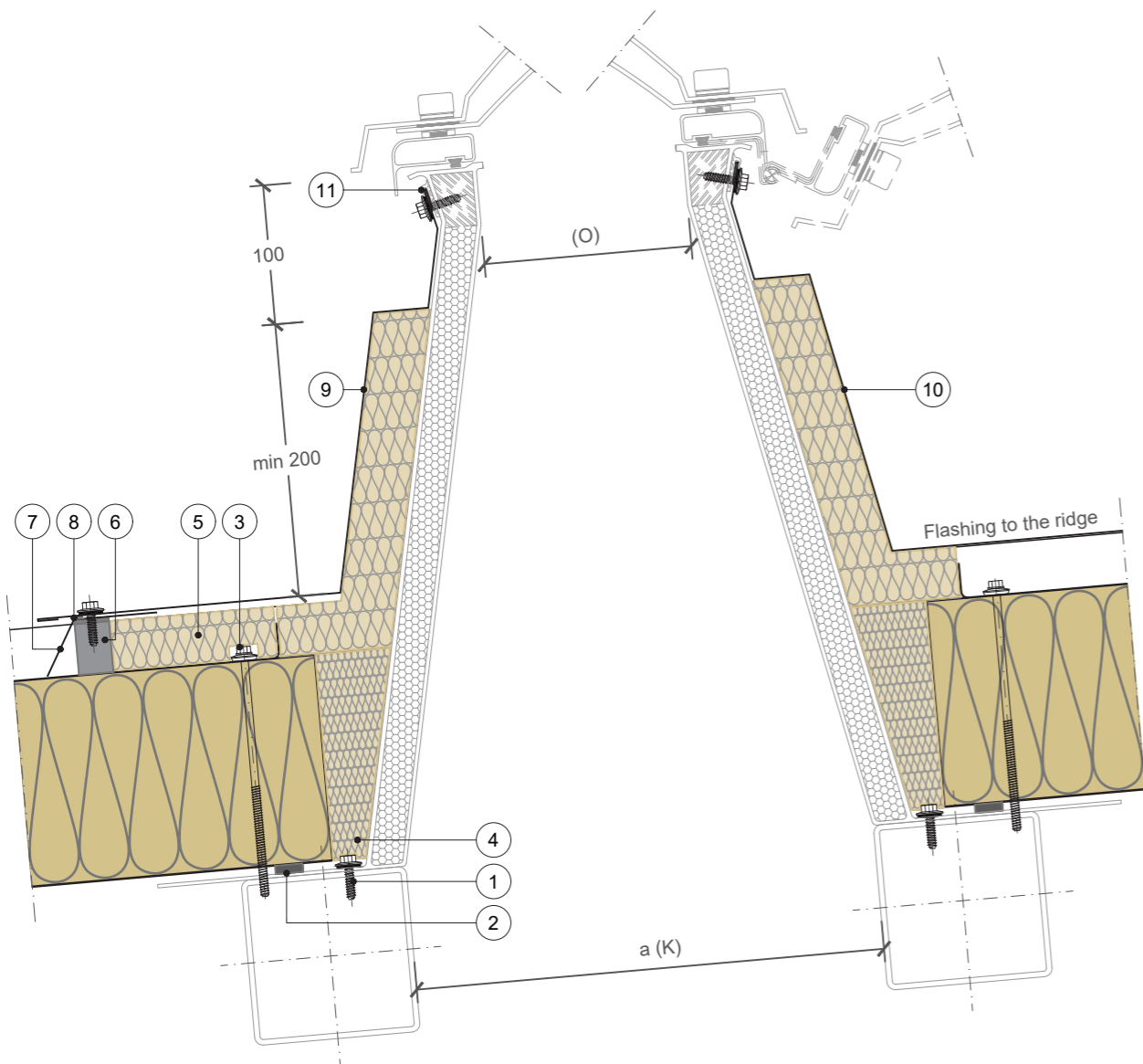
FUNCTION

- FIRE - fire-resistant system
- FOOGIENE - food & hygiene system
- BASE - backing-wall system

APPLICATION

- External Facade + External Soffit
- Internal Wall + Internal Ceiling
- Flat Roof ● Pitched Roof

VERTICAL TRANSVERSAL CUT



POS.	ELEMENTS	SCALE: M 1:5
1	Fixing screw short	
2	Sealing tape	
3	Fixing screw	
4	Thermal insulation soft	
5	Thermal insulation	
6	Profile filler SNV - negative	
7	Covering flashing - negative	
8	Sealing tape	
9	Lower flashing	
10	Upper flashing	
11	Drip sealing tape	

PENETRATION

Trimo Group holds full copyrights on the information and details provided on this media, therefore any unauthorized reproduction and distribution is strictly prohibited.



PITCHED INSTALLATION

TRIMOTERM SNV

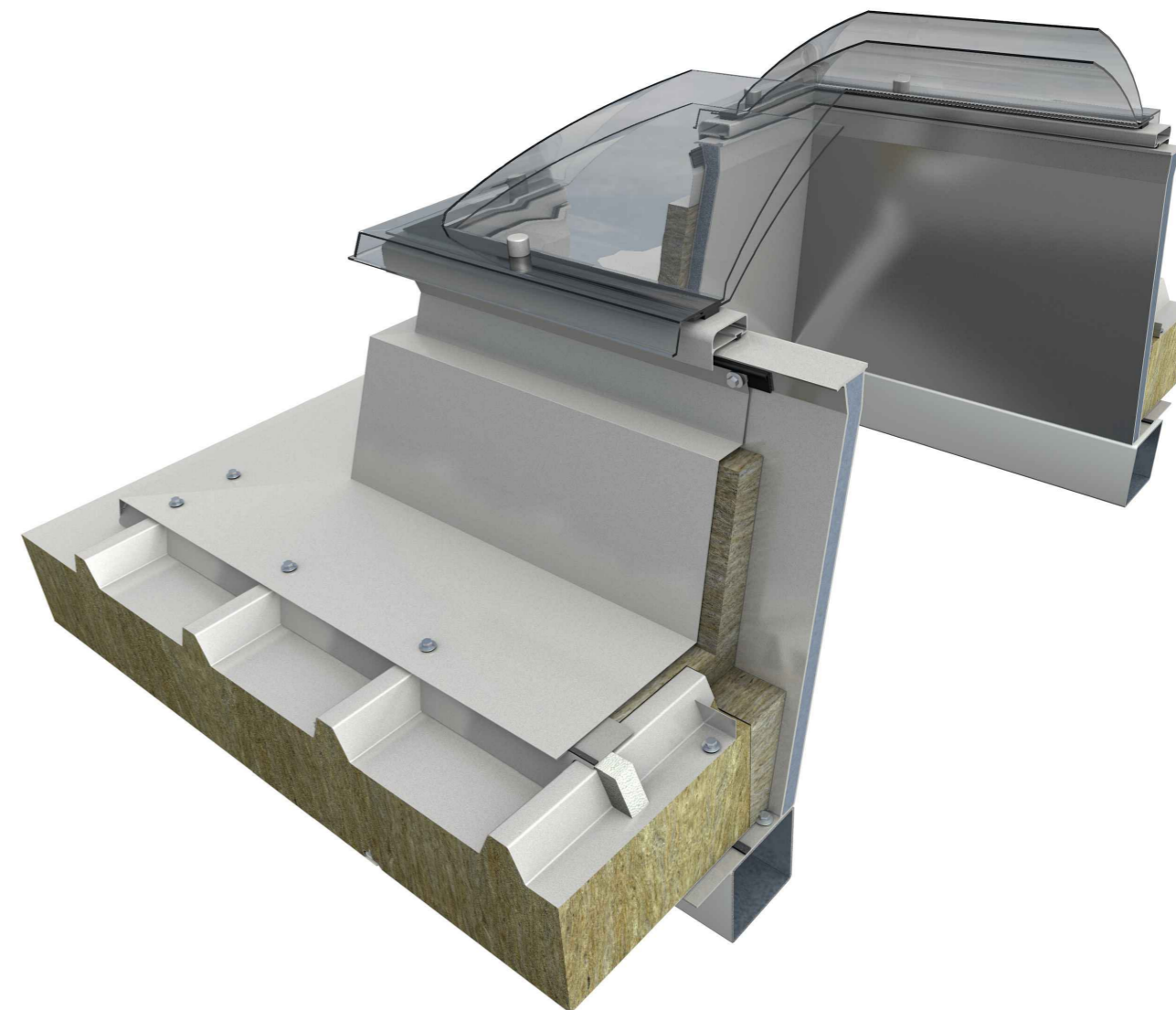
FUNCTION

- FIRE - fire-resistant system
- FOOGIENE - food & hygiene system
- BASE - backing-wall system

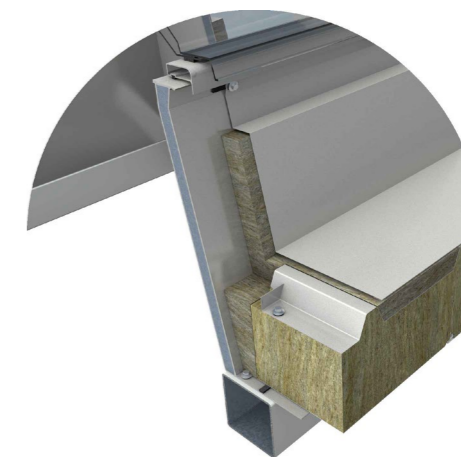
APPLICATION

- External Facade + External Soffit
- Internal Wall + Internal Ceiling
- Flat Roof ● Pitched Roof

DETAIL VIEW



CLOSE VIEW



ADVANTAGES

- Best fit with a roof pitch from 5°
- Fire resistance up to REI180
- U Thermal transmittance as low as 0.16 W/m²K
- Up to 240 mm thick and up to 14 m long in module 1000 mm
- Quick installation and designing with BIM support

PENETRATION

Trimo Group holds full copyrights on the information and details provided on this media, therefore any unauthorized reproduction and distribution is strictly prohibited.



PITCHED INSTALLATION

TRIMOTERM SNV

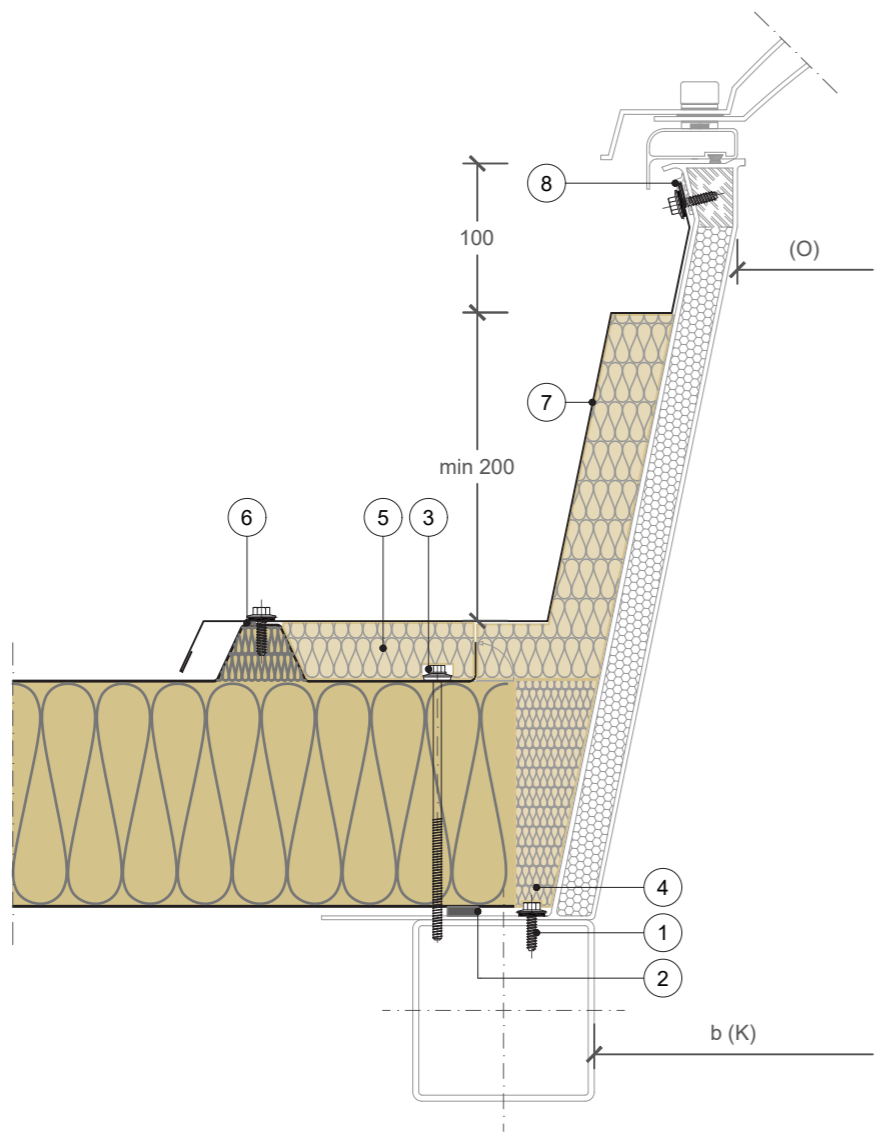
FUNCTION

- FIRE - fire-resistant system
- FOOGIENE - food & hygiene system
- BASE - backing-wall system

APPLICATION

- External Facade + External Soffit
- Internal Wall + Internal Ceiling
- Flat Roof ● Pitched Roof

VERTICAL LONGITUDINAL CUT



POS.	ELEMENTS	SCALE: M 1:5
1	Fixing screw short	
2	Sealing tape	
3	Fixing screw	
4	Thermal insulation soft	
5	Thermal insulation	
6	Sealing tape	
7	Side flashing	
8	Drip sealing tape	

PENETRATION

Trimo Group holds full copyrights on the information and details provided on this media, therefore any unauthorized reproduction and distribution is strictly prohibited.



PITCHED INSTALLATION

TRIMOTERM SNV

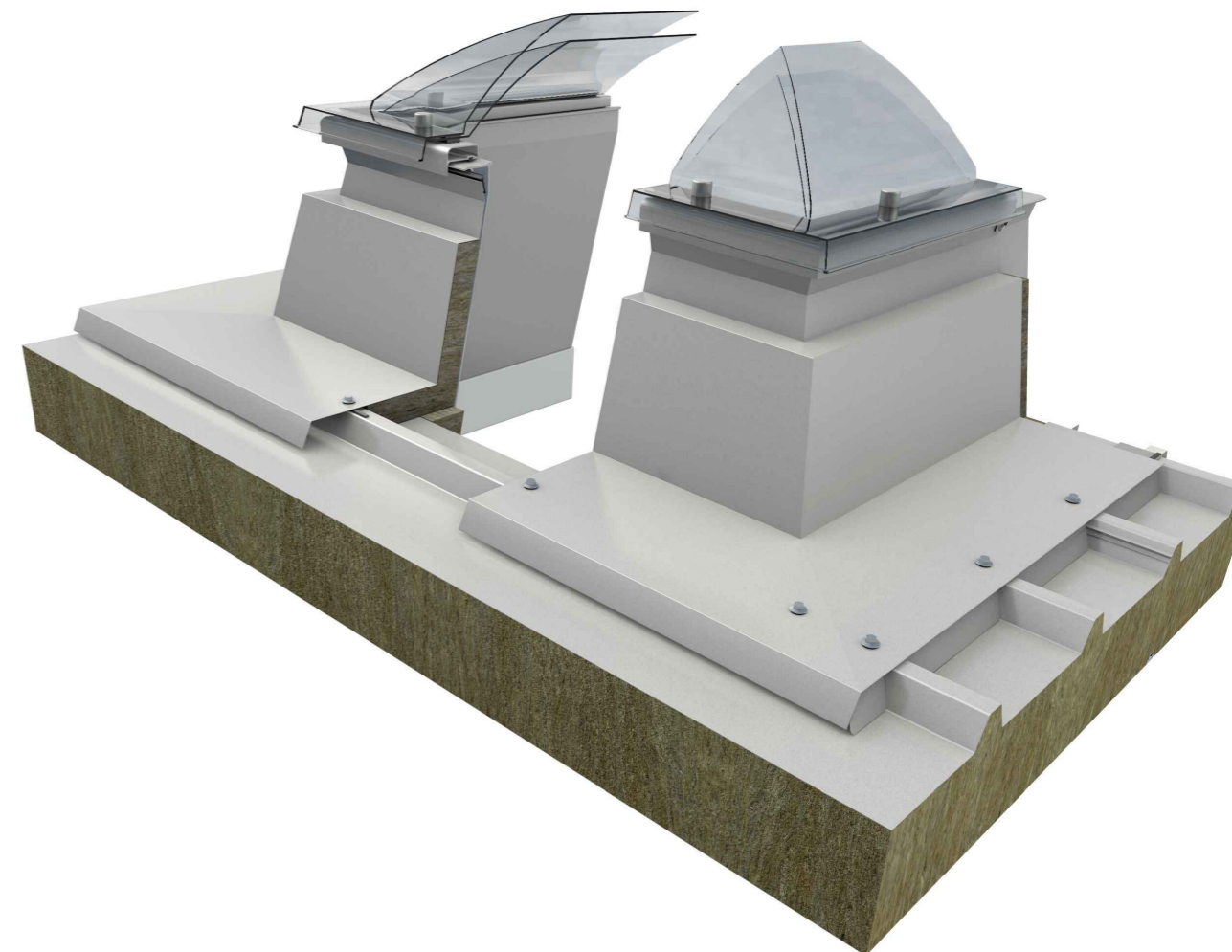
FUNCTION

- FIRE - fire-resistant system
- FOOGIENE - food & hygiene system
- BASE - backing-wall system

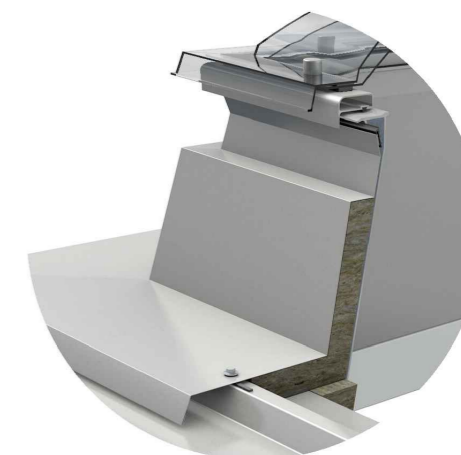
APPLICATION

- External Facade + External Soffit
- Internal Wall + Internal Ceiling
- Flat Roof ● Pitched Roof

DETAIL VIEW



CLOSE VIEW



ADVANTAGES

- Best fit with a roof pitch from 5°
- Fire resistance up to REI180
- U Thermal transmittance as low as 0.16 W/m²K
- Up to 240 mm thick and up to 14 m long in module 1000 mm
- Quick installation and designing with BIM support

PENETRATION

Trimo Group holds full copyrights on the information and details provided on this media, therefore any unauthorized reproduction and distribution is strictly prohibited.



PITCHED INSTALLATION

TRIMOTERM SNV

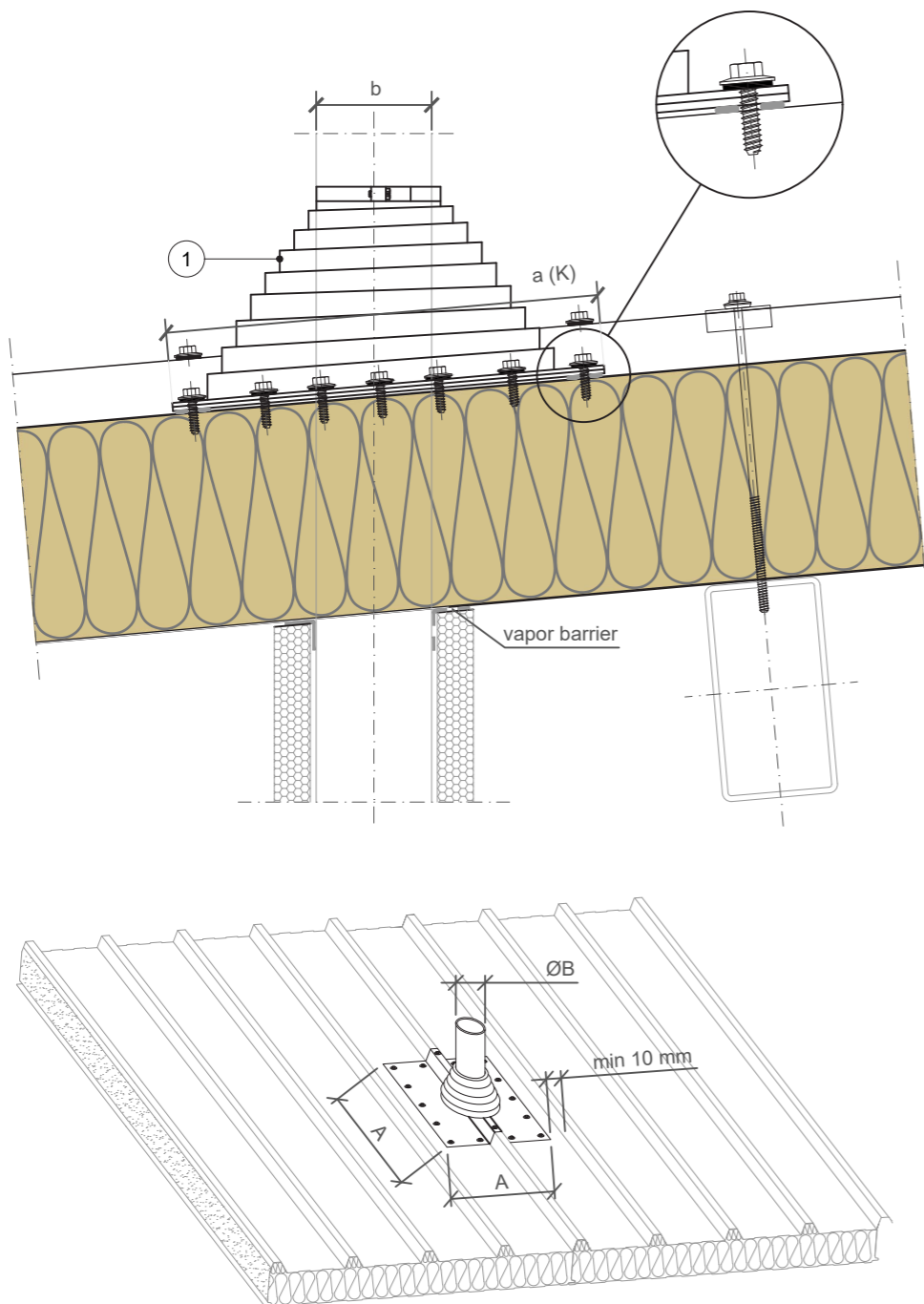
FUNCTION

- FIRE - fire-resistant system
- FOOGIENE - food & hygiene system
- BASE - backing-wall system

APPLICATION

- External Facade + External Soffit
- Internal Wall + Internal Ceiling
- Flat Roof ● Pitched Roof

VERTICAL CUT



POS.	ELEMENTS	SCALE: M 1:5
1	EPDM collar for roof penetration (including screws, clamp and mastic seal)	

PENETRATION

Trimo Group holds full copyrights on the information and details provided on this media, therefore any unauthorized reproduction and distribution is strictly prohibited.



PITCHED INSTALLATION

TRIMOTERM SNV

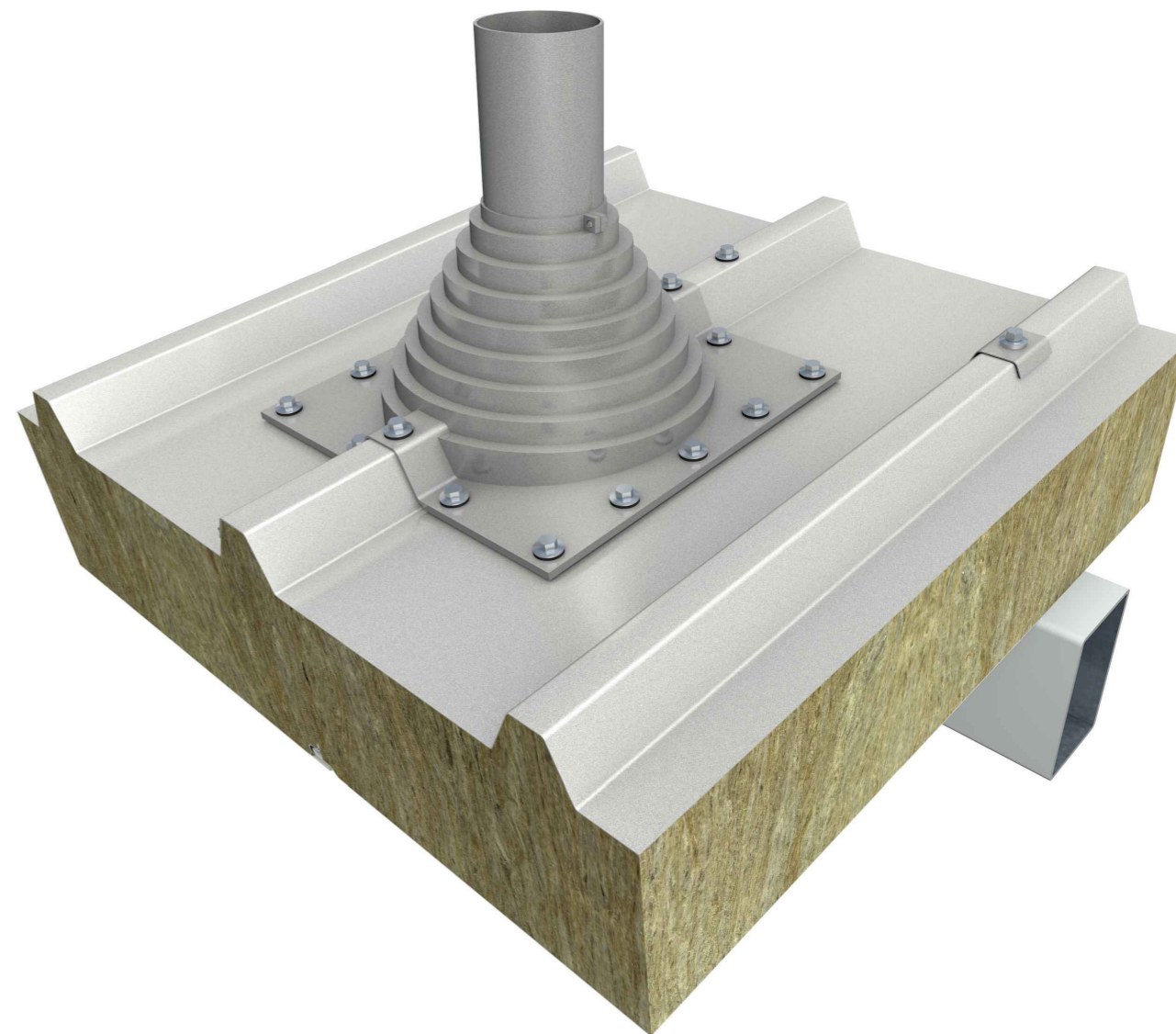
FUNCTION

- FIRE - fire-resistant system
- FOOGIENE - food & hygiene system
- BASE - backing-wall system

APPLICATION

- External Facade + External Soffit
- Internal Wall + Internal Ceiling
- Flat Roof ● Pitched Roof

DETAIL VIEW



CLOSE VIEW



ADVANTAGES

- Best fit with a roof pitch from 5°
- Fire resistance up to REI180
- U Thermal transmittance as low as 0.16 W/m²K
- Up to 240 mm thick and up to 14 m long in module 1000 mm
- Quick installation and designing with BIM support

PENETRATION

Trimo Group holds full copyrights on the information and details provided on this media, therefore any unauthorized reproduction and distribution is strictly prohibited.



PITCHED INSTALLATION

TRIMOTERM SNV

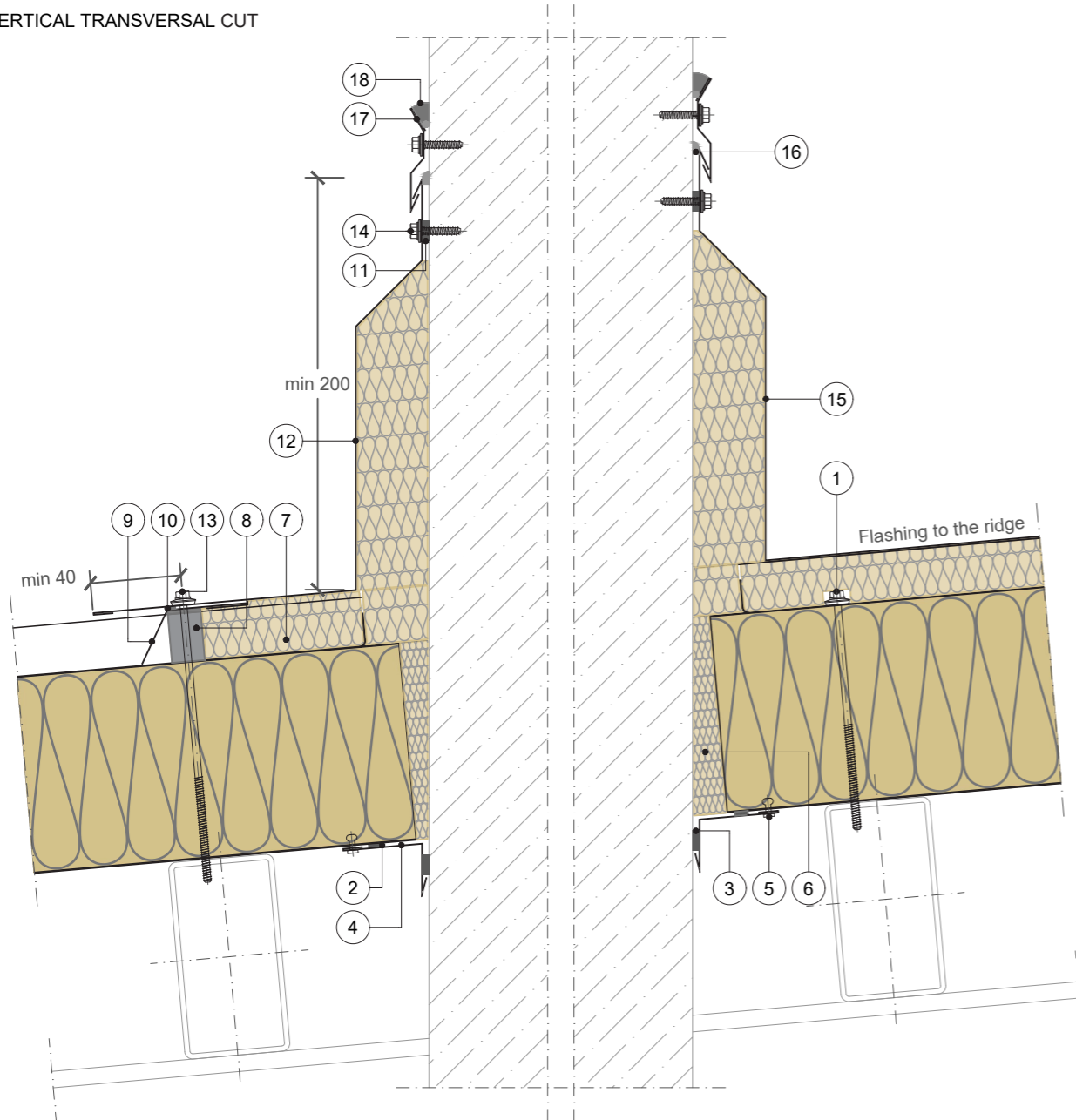
FUNCTION

- FIRE - fire-resistant system
- FOOGIENE - food & hygiene system
- BASE - backing-wall system

APPLICATION

- External Facade + External Soffit
- Internal Wall + Internal Ceiling
- Flat Roof ● Pitched Roof

VERTICAL TRANSVERSAL CUT



POS.	ELEMENTS	SCALE: M 1:5
1	Fixing screw	10 Sealing tape
2	Sealing tape	11 Sealing tape
3	Sealing tape	12 Lower flashing
4	Internal corner flashing	13 Fixing screw
5	Blind rivet	14 Metal fixing screw (depending on material)
6	Thermal insulation soft	15 Upper flashing
7	Thermal insulation	16 Mastic seal
8	Profile filler SNV - negative	17 End penetration flashing
9	Covering flashing - negative	18 PE rope + mastic seal

PENETRATION

Trimo Group holds full copyrights on the information and details provided on this media, therefore any unauthorized reproduction and distribution is strictly prohibited.



PITCHED INSTALLATION

TRIMOTERM SNV

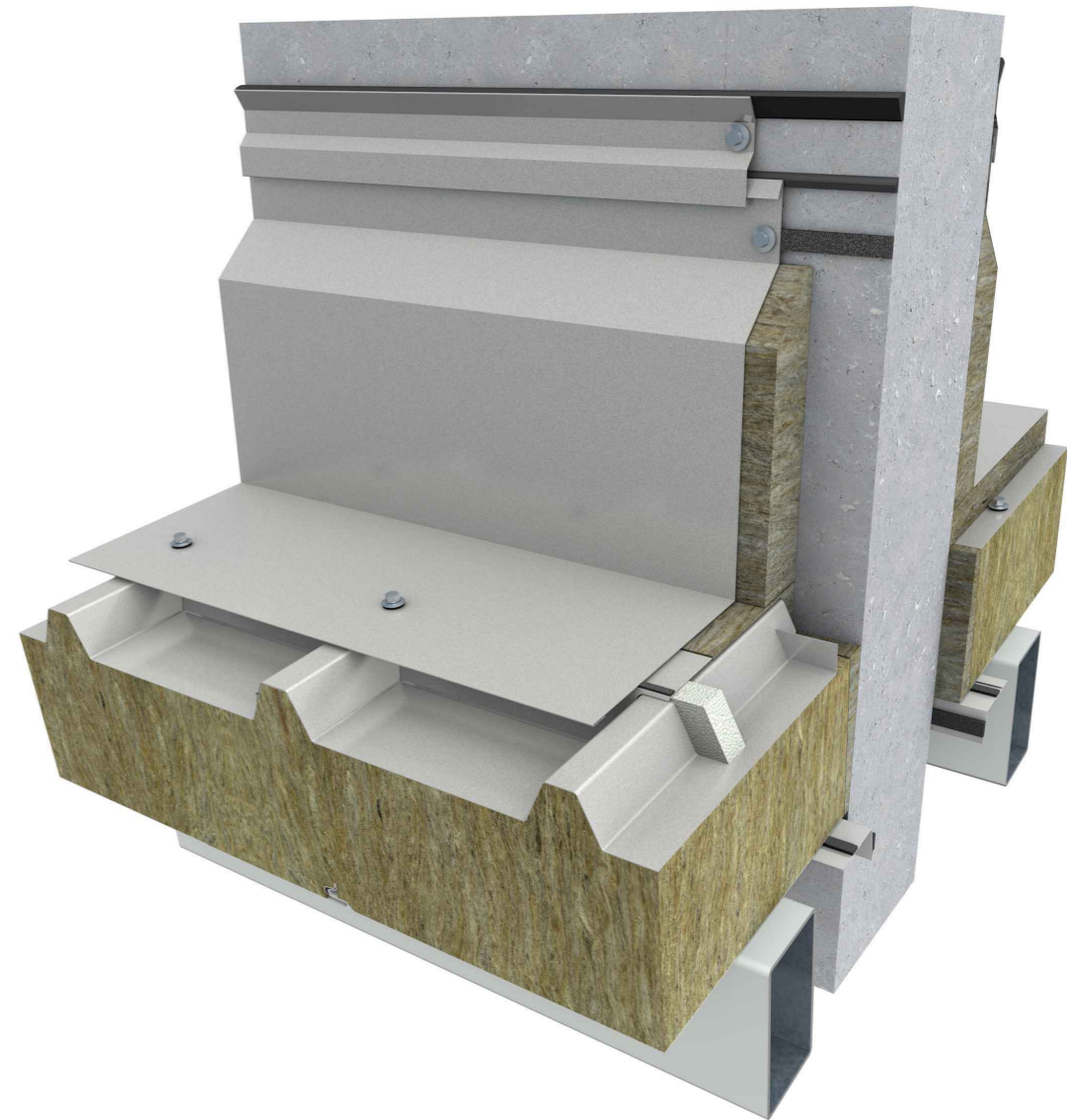
FUNCTION

- FIRE - fire-resistant system
- FOOGIENE - food & hygiene system
- BASE - backing-wall system

APPLICATION

- External Facade + External Soffit
- Internal Wall + Internal Ceiling
- Flat Roof ● Pitched Roof

DETAIL VIEW



CLOSE VIEW



ADVANTAGES

- Best fit with a roof pitch from 5°
- Fire resistance up to REI180
- U Thermal transmittance as low as 0.16 W/m²K
- Up to 240 mm thick and up to 14 m long in module 1000 mm
- Quick installation and designing with BIM support

PENETRATION

Trimo Group holds full copyrights on the information and details provided on this media, therefore any unauthorized reproduction and distribution is strictly prohibited.



PITCHED INSTALLATION

TRIMOTERM SNV

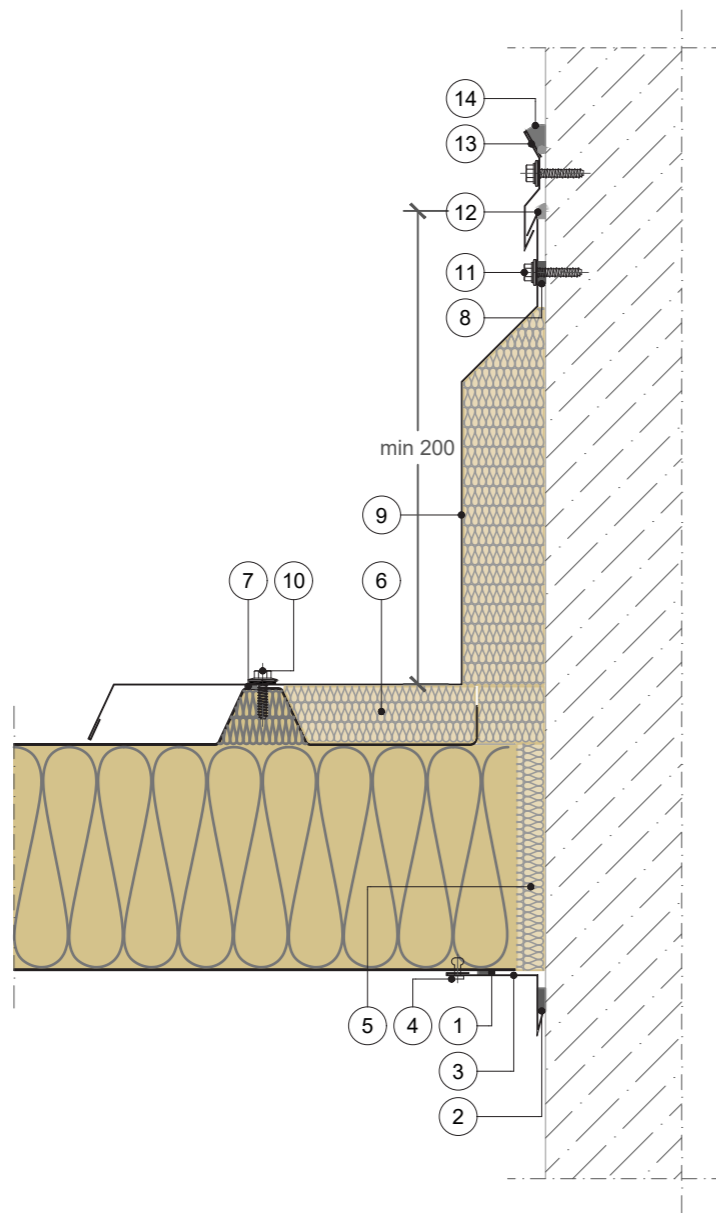
FUNCTION

- FIRE - fire-resistant system
- FOOGIENE - food & hygiene system
- BASE - backing-wall system

APPLICATION

- External Facade + External Soffit
- Internal Wall + Internal Ceiling
- Flat Roof ● Pitched Roof

VERTICAL LONGITUDINAL CUT



POS.	ELEMENTS	SCALE: M 1:5
1	Sealing tape	8 Sealing tape
2	Sealing tape	9 Side flashing
3	Internal corner flashing	10 Fixing screw short
4	Blind rivet	11 Metal fixing screw (depending on material)
5	Thermal insulation soft	12 Mastic seal
6	Thermal insulation	13 End penetration flashing
7	Sealing tape	14 PE rope + mastic seal

PENETRATION

Trimo Group holds full copyrights on the information and details provided on this media, therefore any unauthorized reproduction and distribution is strictly prohibited.



PITCHED INSTALLATION

TRIMOTERM SNV

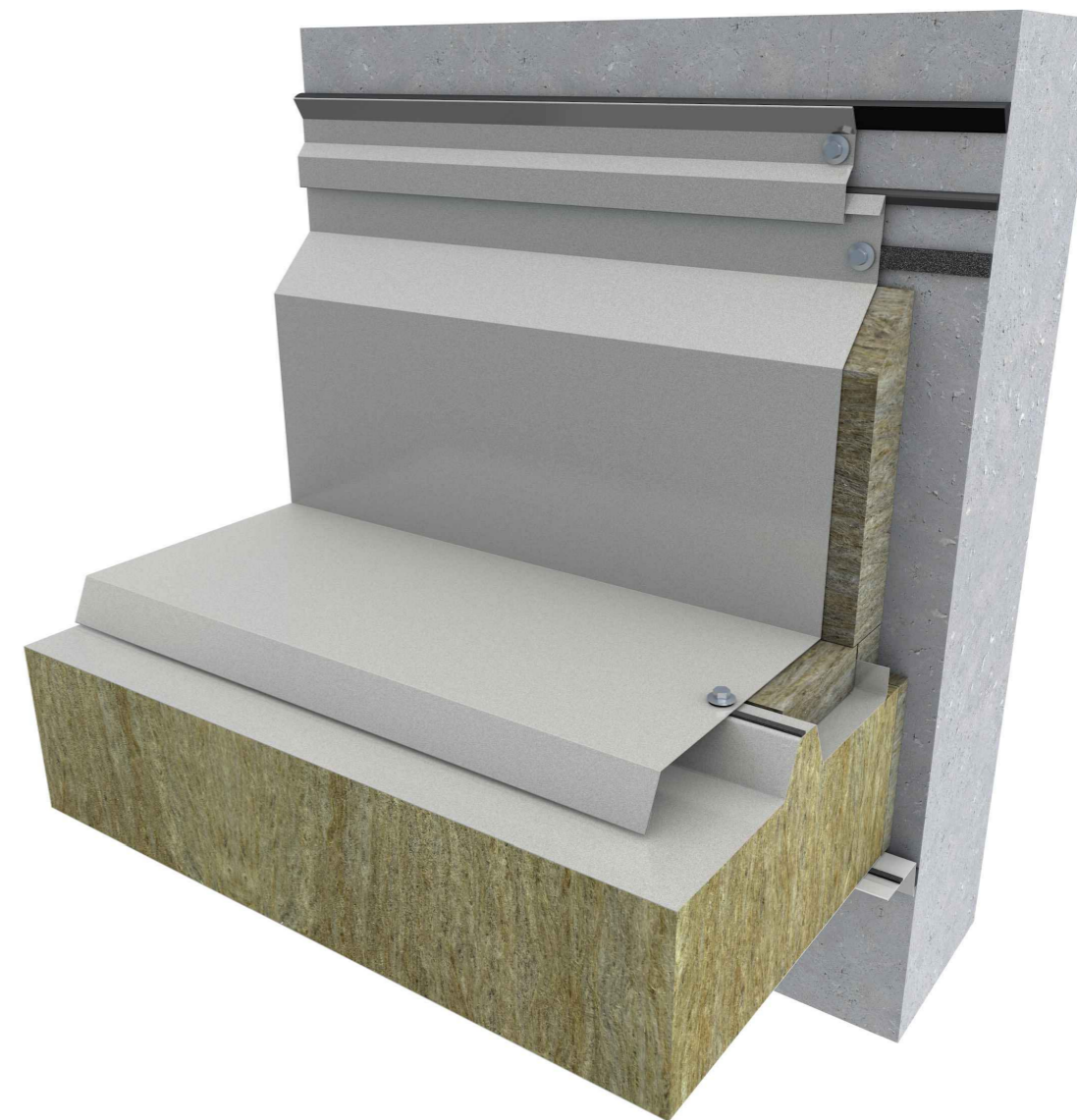
FUNCTION

- FIRE - fire-resistant system
- FOOGIENE - food & hygiene system
- BASE - backing-wall system

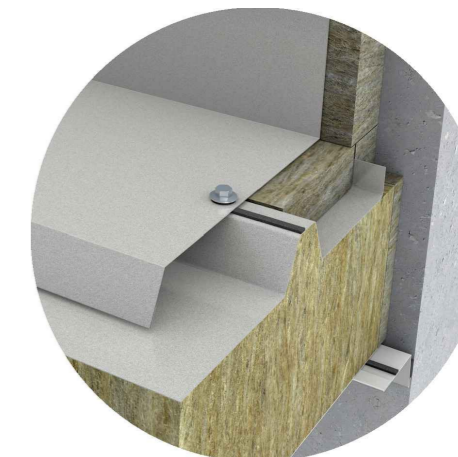
APPLICATION

- External Facade + External Soffit
- Internal Wall + Internal Ceiling
- Flat Roof ● Pitched Roof

DETAIL VIEW



CLOSE VIEW



ADVANTAGES

- Best fit with a roof pitch from 5°
- Fire resistance up to REI180
- U Thermal transmittance as low as 0.16 W/m²K
- Up to 240 mm thick and up to 14 m long in module 1000 mm
- Quick installation and designing with BIM support

PENETRATION

Trimo Group holds full copyrights on the information and details provided on this media, therefore any unauthorized reproduction and distribution is strictly prohibited.



PITCHED INSTALLATION

TRIMOTERM SNV

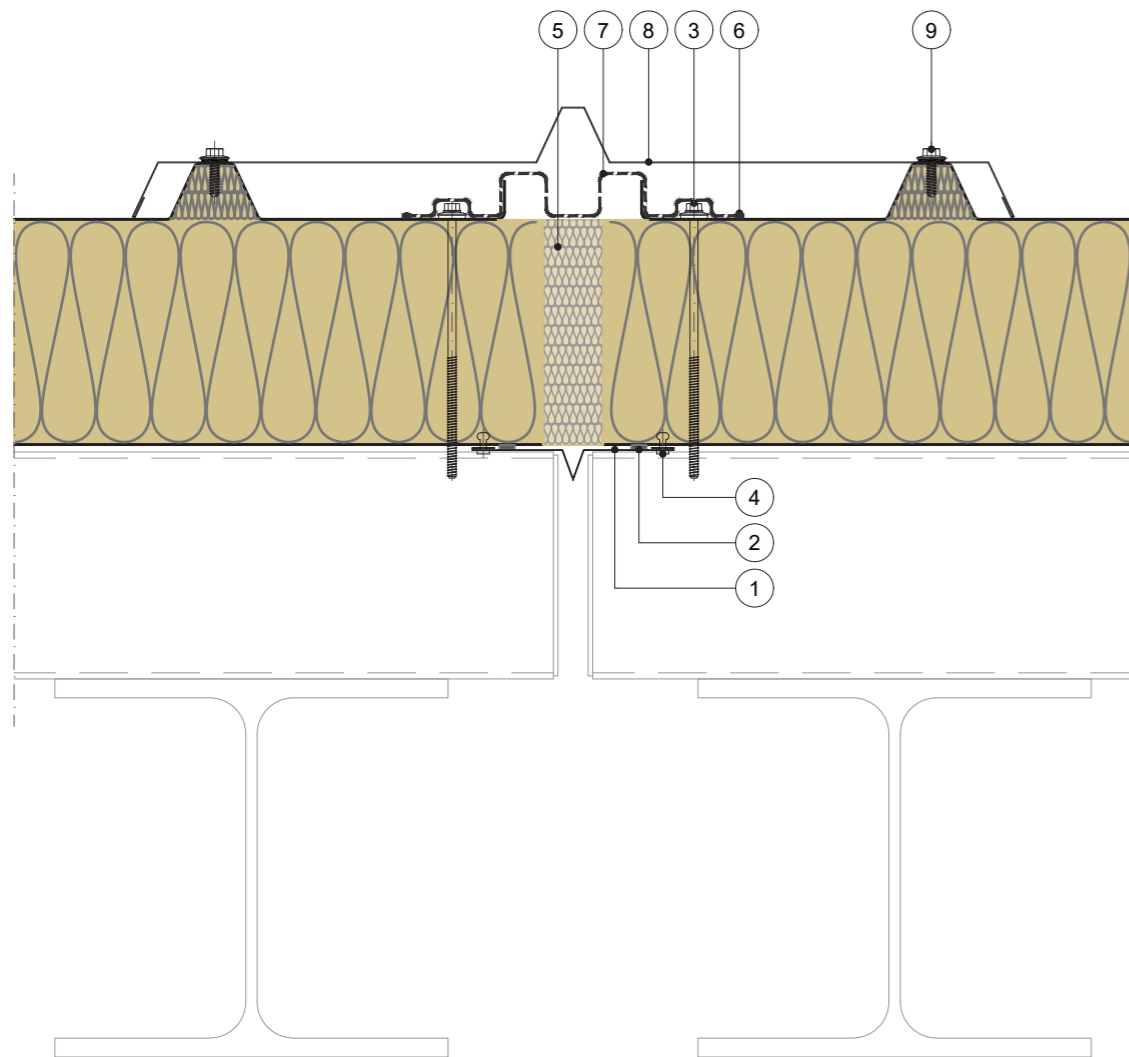
FUNCTION

- FIRE - fire-resistant system
- FOOGIENE - food & hygiene system
- BASE - backing-wall system

APPLICATION

- External Facade + External Soffit
- Internal Wall + Internal Ceiling
- Flat Roof ● Pitched Roof

VERTICAL CUT



POS.	ELEMENTS	SCALE: M 1:5
1	Inner dilatation flashing	
2	Sealing tape	
3	Fixing screw	
4	Blind rivet	
5	Thermal insulation	
6	EPDM foil adhesive	
7	EPDM foil	
8	Outer dilatation flashing	
9	Fixing screw	

DILATATION

Trimo Group holds full copyrights on the information and details provided on this media, therefore any unauthorized reproduction and distribution is strictly prohibited.



PITCHED INSTALLATION

TRIMOTERM SNV

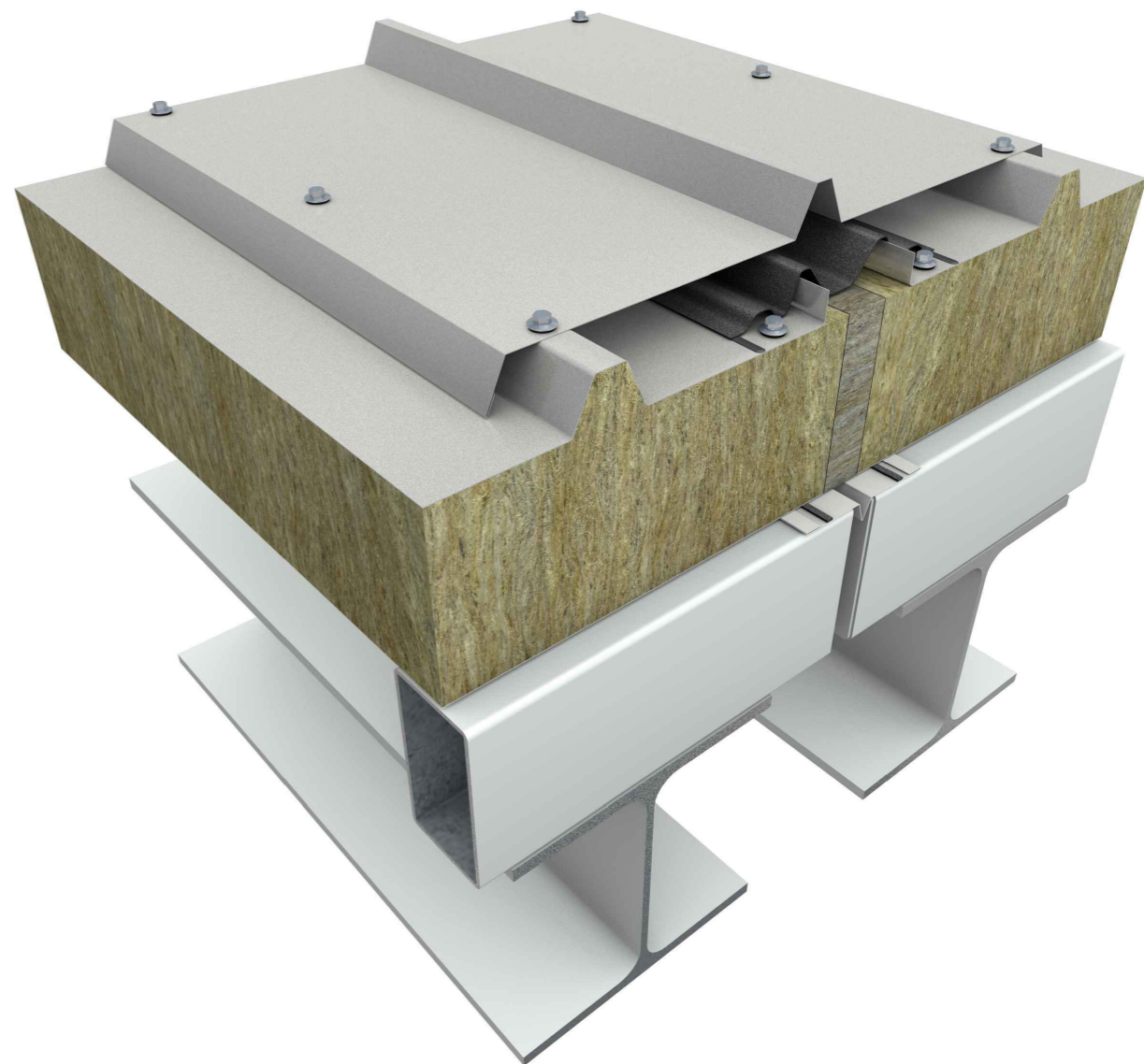
FUNCTION

- FIRE - fire-resistant system
- FOOGIENE - food & hygiene system
- BASE - backing-wall system

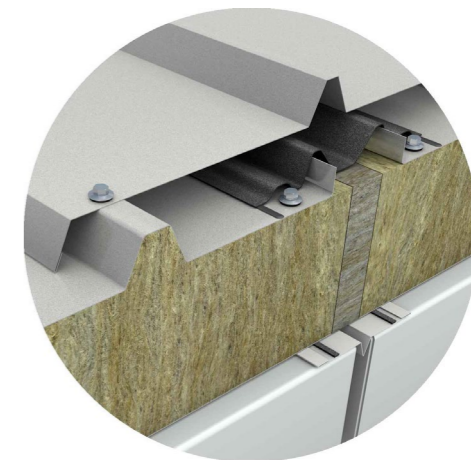
APPLICATION

- External Facade + External Soffit
- Internal Wall + Internal Ceiling
- Flat Roof ● Pitched Roof

DETAIL VIEW



CLOSE VIEW



ADVANTAGES

- Best fit with a roof pitch from 5°
- Fire resistance up to REI180
- U Thermal transmittance as low as 0.16 W/m²K
- Up to 240 mm thick and up to 14 m long in module 1000 mm
- Quick installation and designing with BIM support

DILATATION

Trimo Group holds full copyrights on the information and details provided on this media, therefore any unauthorized reproduction and distribution is strictly prohibited.



PITCHED INSTALLATION

TRIMOTERM SNV

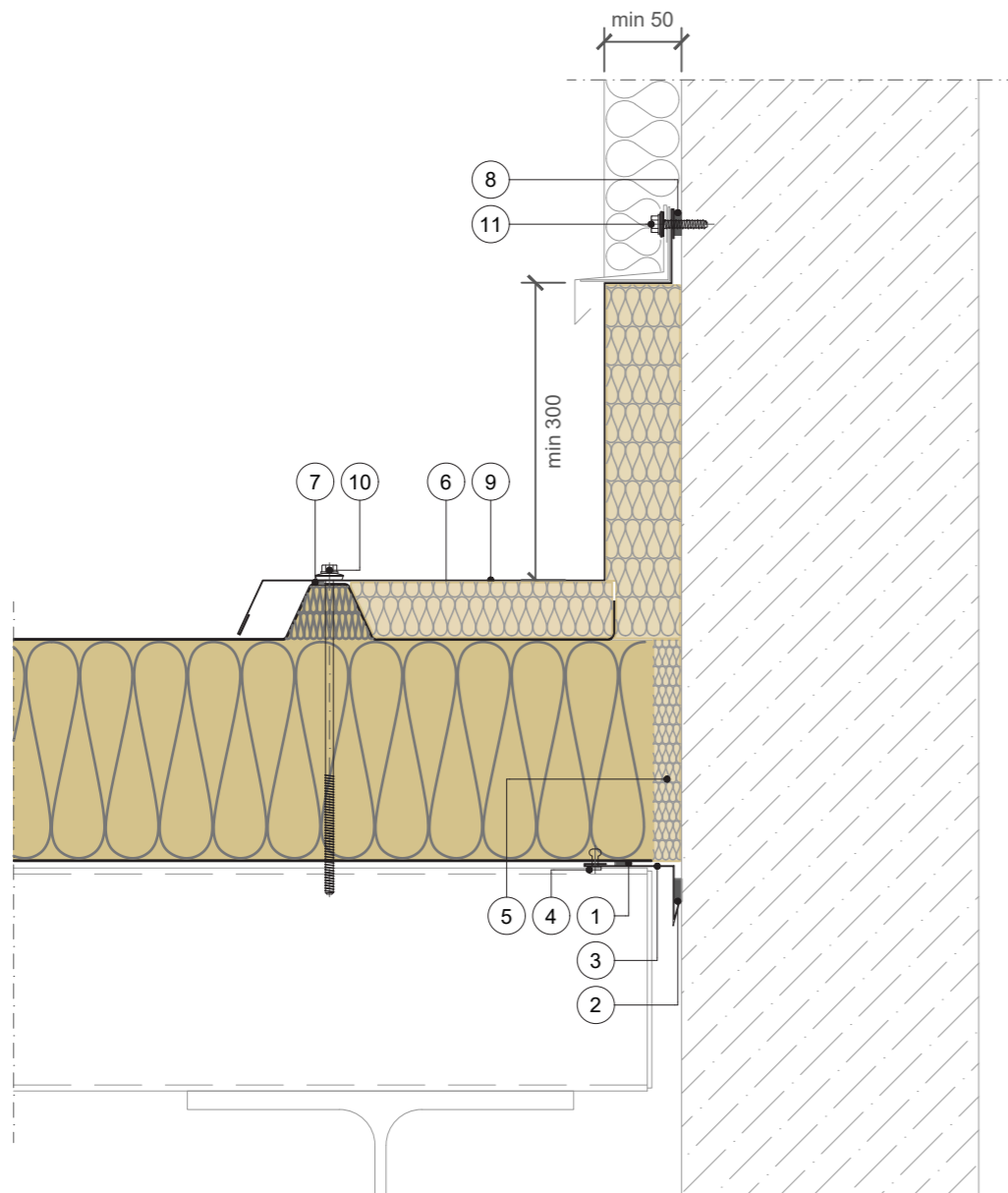
FUNCTION

- FIRE - fire-resistant system
- FOOGIENE - food & hygiene system
- BASE - backing-wall system

APPLICATION

- External Facade + External Soffit
- Internal Wall + Internal Ceiling
- Flat Roof ● Pitched Roof

VERTICAL CUT



POS.	ELEMENTS	SCALE: M 1:5
1	Sealing tape	7 Sealing tape
2	Sealing tape	8 Sealing tape
3	Internal corner flashing	9 External wall flashing
4	Blind rivet	10 Fixing screw
5	Thermal insulation soft	11 Metal fixing screw (depending on material)
6	Thermal insulation	

OTHER SYSTEM CONNECTION

Trimo Group holds full copyrights on the information and details provided on this media, therefore any unauthorized reproduction and distribution is strictly prohibited.



PITCHED INSTALLATION

TRIMOTERM SNV

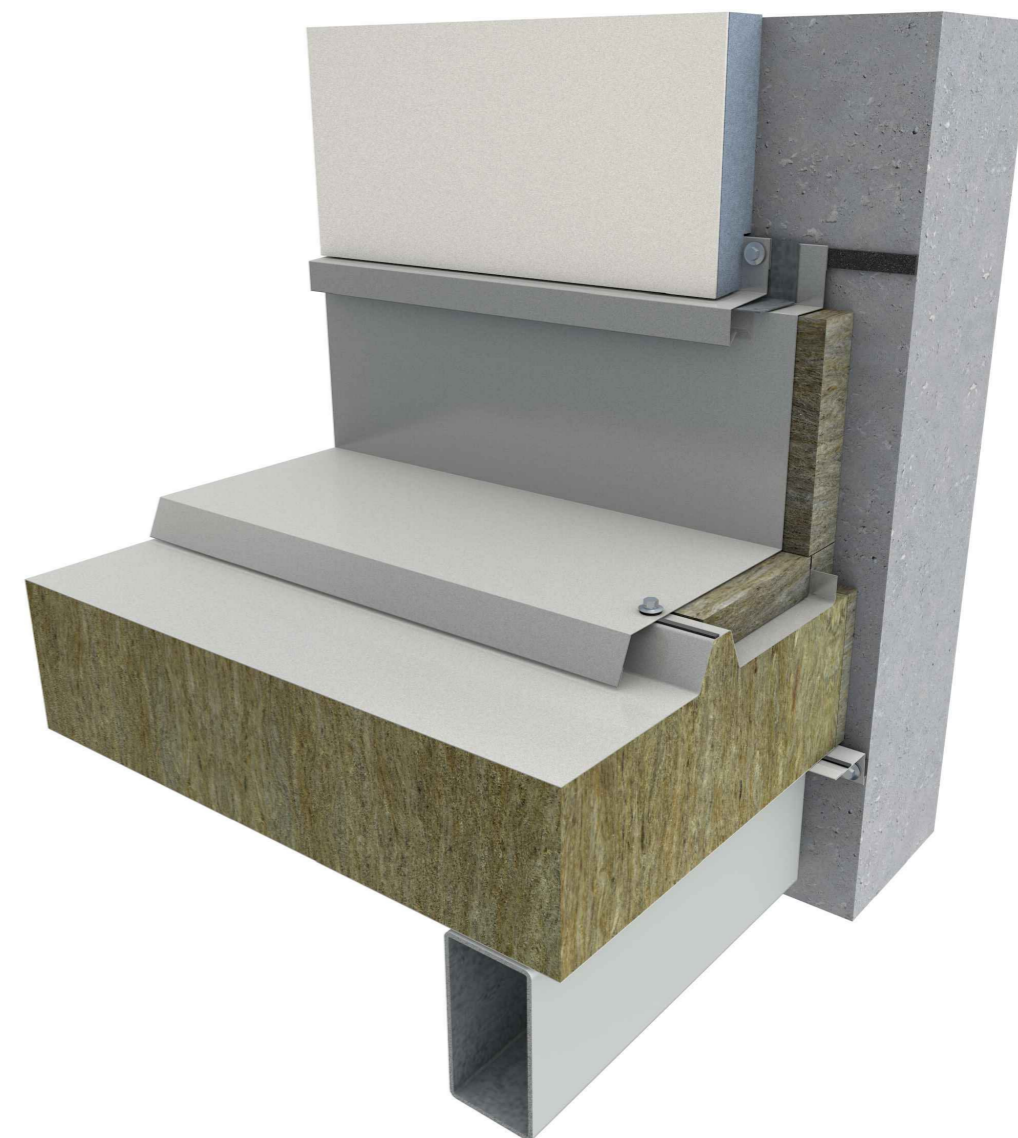
FUNCTION

- FIRE - fire-resistant system
- FOOGIENE - food & hygiene system
- BASE - backing-wall system

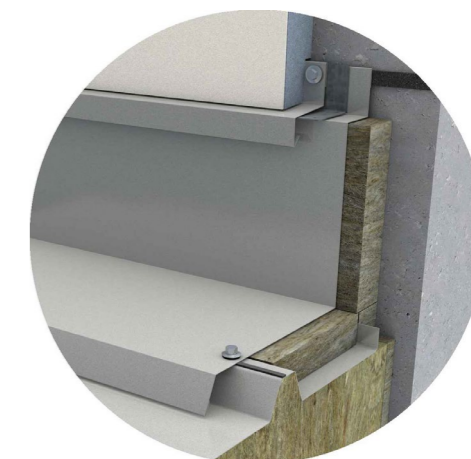
APPLICATION

- External Facade + External Soffit
- Internal Wall + Internal Ceiling
- Flat Roof ● Pitched Roof

DETAIL VIEW



CLOSE VIEW



ADVANTAGES

- Best fit with a roof pitch from 5°
- Fire resistance up to REI180
- U Thermal transmittance as low as 0.16 W/m²K
- Up to 240 mm thick and up to 14 m long in module 1000 mm
- Quick installation and designing with BIM support

OTHER SYSTEM CONNECTION

Trimo Group holds full copyrights on the information and details provided on this media, therefore any unauthorized reproduction and distribution is strictly prohibited.



PITCHED INSTALLATION

TRIMOTERM SNV

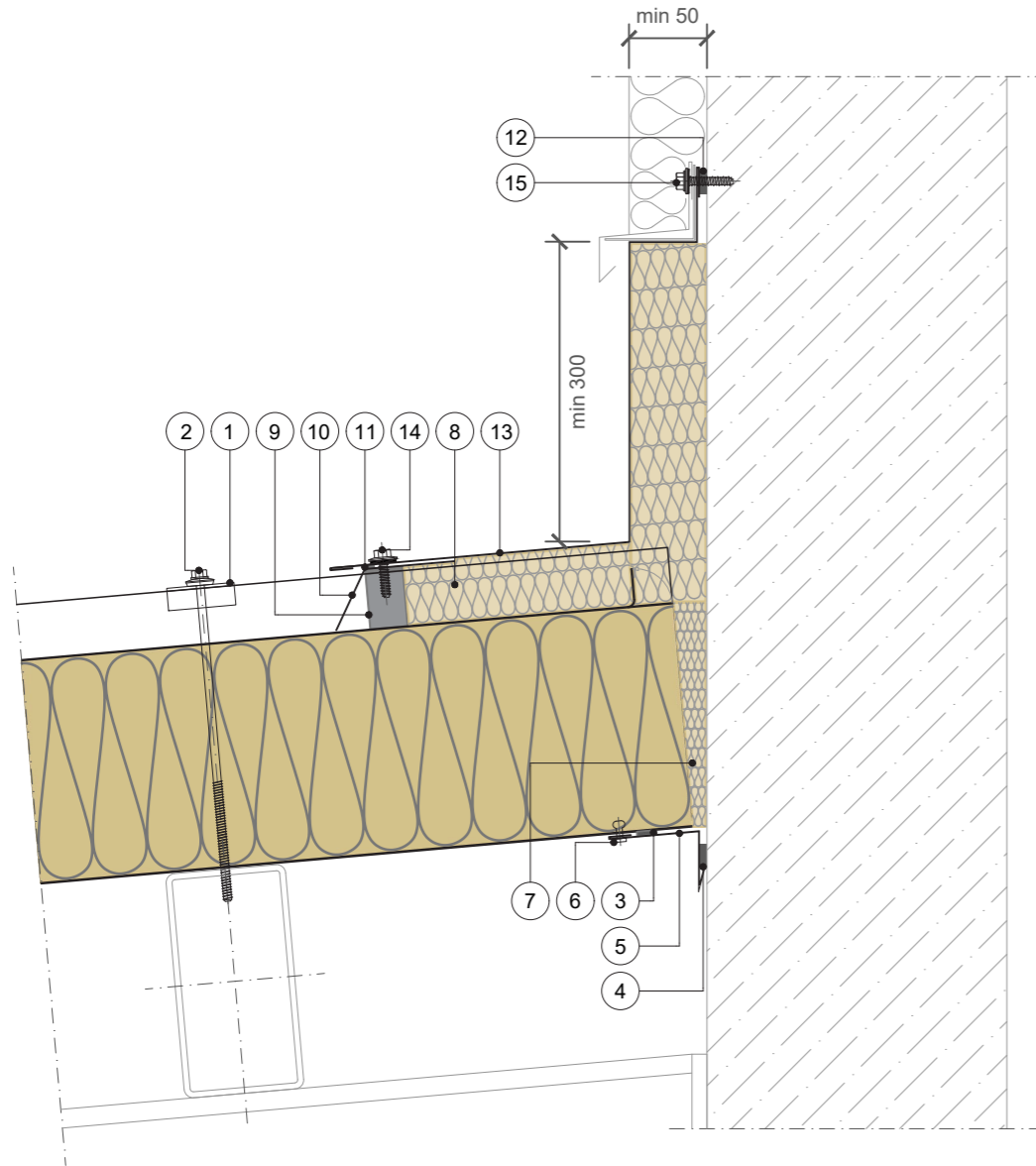
FUNCTION

- FIRE - fire-resistant system
- FOOGIENE - food & hygiene system
- BASE - backing-wall system

APPLICATION

- External Facade + External Soffit
- Internal Wall + Internal Ceiling
- Flat Roof ● Pitched Roof

VERTICAL CUT



POS.	ELEMENTS	SCALE: M 1:5
1	Saddle washer	9 Profile filler SNV - negative
2	Fixing screw	10 Covering flashing - negative
3	Sealing tape	11 Sealing tape
4	Sealing tape	12 Sealing tape
5	Internal corner flashing	13 External wall flashing
6	Blind rivet	14 Fixing screw short
7	Thermal insulation soft	15 Metal fixing screw (depending on material)
8	Thermal insulation	

OTHER SYSTEM CONNECTION

Trimo Group holds full copyrights on the information and details provided on this media, therefore any unauthorized reproduction and distribution is strictly prohibited.



PITCHED INSTALLATION

TRIMOTERM SNV

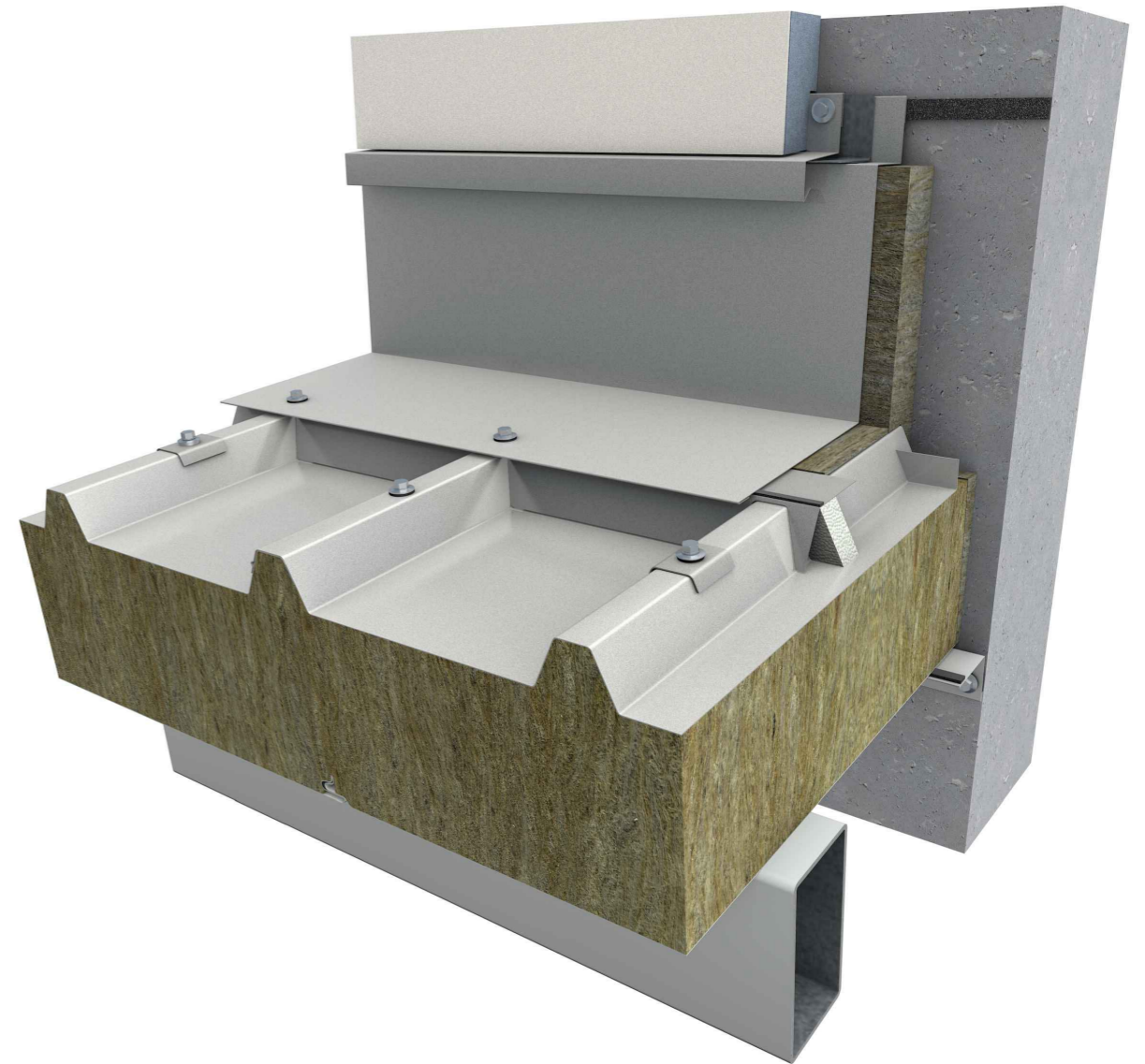
FUNCTION

- FIRE - fire-resistant system
- FOOGIENE - food & hygiene system
- BASE - backing-wall system

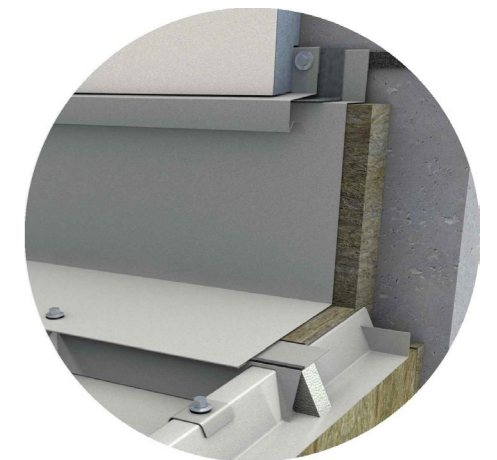
APPLICATION

- External Facade + External Soffit
- Internal Wall + Internal Ceiling
- Flat Roof ● Pitched Roof

DETAIL VIEW



CLOSE VIEW



ADVANTAGES

- Best fit with a roof pitch from 5°
- Fire resistance up to REI180
- U Thermal transmittance as low as 0.16 W/m²K
- Up to 240 mm thick and up to 14 m long in module 1000 mm
- Quick installation and designing with BIM support

OTHER SYSTEM CONNECTION

Trimo Group holds full copyrights on the information and details provided on this media, therefore any unauthorized reproduction and distribution is strictly prohibited.